

RF3000[®]

Pipette Controller

Instruction Manual.....	2
Manuel d'instructions.....	18
Manual de Instrucciones.....	34
Bedienungsanleitung.....	50



HEATHROW SCIENTIFIC[®], LLC
620 Lakeview Parkway • Vernon Hills, IL 60061 • USA

Phone: +1-847-816-5070 • Fax: +1- 847-816-5072

Email: info@heathrowscientific.com

www.heathrowscientific.com



Contents

Safety Precautions	3-4
Product Description.....	4
Components	5
Technical Data.....	6-7
Getting Started	
Charging the battery	8
Mounting the holder.....	9
Using the stand	9
Pipetting	
Attaching the pipette.....	10
Filling the pipette.....	10
Dispensing	11
Maintenance	
Cleaning the pipette adapter and replacing the filter	12
Checking for leaks	12
Recharging the battery.....	13
Replacing the battery.....	13
Trouble Shooting.....	15
Ordering Information	16
Return for Repair	16
Warranty	16-17

Safety Precautions

The Pipette Controller may be involved with hazardous materials. This instruction manual cannot address all safety hazards. It is the responsibility of the user to consult and observe all health and safety precautions and to assess the instrument's suitability to the task.

1. Before operating the instrument, read this instruction manual.
2. Observe general laboratory safety precautions and regulations.
3. Follow all precautions from the Material Safety Data Sheet (MSDS) for any reagent you use with this instrument.
4. Never operate the instrument in a hazardous or flammable environment.
5. Do not pipette flammable solvents such as Acetone or Ether.
6. Always work in a manner which neither endangers the user, nor any other person.
7. Use the instrument only for pipetting, and within the recommended limits of its chemical resistance and mechanical properties.
8. Never use force when using this instrument.
9. When not in use, store the instrument on stand or in holder.
10. Should the instrument fail to work to specification, immediately stop pipetting. Clean and troubleshoot the instrument according to the instructions under "Trouble Shooting" before any further use of the instrument.
11. Only use original manufacturer's accessories (AC adapter, stand, and holder) and spare parts (filters, nose piece, and pipette adapter).
12. Only the original AC adapter should be used for recharging the battery.
13. The Micro USB connector can only be inserted one way into the unit. Forcing the plug into the housing will damage both the Micro USB and socket, thus voiding the warranty.
14. Do not immerse in any liquid nor use it with wet hands.
15. Repairs are to be performed by trained and authorized service personnel only.
16. Opening the instrument or improper use of the instrument voids the warranty. If there is a failure during the warranty period, contact Heathrow Scientific® for warranty service. (See warranty section)
17. Instrument must only be used with original manufacturer's battery.
18. Battery must be completely discharged before disposal. Disposal should be performed in accordance with all governmental regulations.

Warning!

If the unit is not used as recommended by the manufacturer, the overall safety will be impaired.

Warning!

Check MSDS, wear required Personal Protective Equipment, and observe all applicable local and national regulations before dispensing and disposing of hazardous sample. Only use pipettes suitable for the sample.

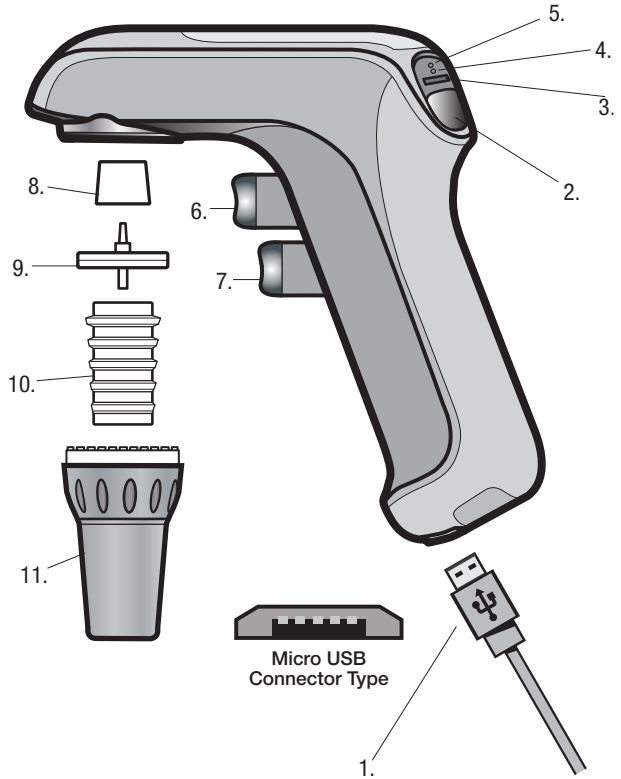
Product Description

The Pipette Controller has been designed to assist in the filling and dispensing of pipettes. It accepts graduated and volumetric pipettes made of glass or plastic and for measuring liquids from 0.1 to 100 mL. It is not designed for use with Pasteur pipettes.

If used correctly, the pipetted liquid will only contact the pipette. The vacuum or pressure necessary for filling or dispensing liquid is generated by a pump. The fill or dispense speed of the pump can be set using the pump speed control. Set on high speed for use with large-volume pipettes or low speed for use with small-volume pipettes. Select the gravity mode (G on the unit) for {to contain} pipettes for low-speed aspiration and gravity-driven delivery.

Components

1. Micro USB Connector and Adapter
2. Pump speed mode button
3. Mode indicator light
4. Charge indicator light
5. Low-battery indicator light
6. Aspirating button
7. Dispensing button
8. Filter adapter
9. Filter
10. Pipette holder
11. Pipette nozzle



Disposal Responsibilities:

The equipment you purchased may contain hazardous substances that could impact the environment. Per regulations on electronic devices in the European Community, you must use the appropriate disposal systems to avoid exposure of these substances to the environment. The disposal systems will reuse or recycle hazardous materials from your equipment responsibly.

The crossed-out wheeled bin symbol invites you to use those systems.



If you need more information on the collection, reuse and recycling systems, please contact your local or regional waste administration. You can also contact us for more information on the environmental performance of our products.

Technical Data

Pipettes: 1 to 100 mL pipettes, glass or plastic

Operating Conditions:

Electrical: 100-240~, 50/60 Hz, 0.25 Amps

Ambient temperature: 5°C to 40°C

Altitude: up to 2,000m

Relative humidity: ≤80% noncondensing

Storage Conditions:

Storage temperature: 20°C to 55°C

Relative humidity: ≤90% noncondensing

Battery: One replaceable Li-Ion; approximately 20 hours operation

Power Requirements: 5v 1A DC

Input: 100-240 VAC 50/60 Hz 0.5A Max

Output: 5.0 VDC 1.0A



Micro USB
Connector Type

Materials

Housing: ABS

Nose cone: Polypropylene

Pipette holder: Silicone

Filter: PTFE 25mm Dia 0.45µm filter; Polypropylene housing

The Pipette Controller must not be used with liquids whose vapors are incompatible with silicone, ABS+Polyoxymethylene, PTFE, polypropylene, and NBR.

Warning!

This instrument must not be used or recharged in an explosive atmosphere. Highly flammable liquids (e.g. ether, acetone, and other liquids with a flash point below 0°C) must not be pipetted.



This mark is the confirmation that the unit conforms to the EU guidelines and has been tested according to the following EU Declaration of Conformity.

EC Declaration Of Conformity

Manufacturer: Heathrow Scientific® LLC, 620 Lakeview Parkway, Vernon Hills, IL 60061 USA

European Contact: Emurgo, Europe, Princessegracht 20, 2514AP, The Hague, The Netherlands

Product: RF3000

Product Model No(s): HS3000

This unit has been constructed and conforms to the following:

EMC Standards and Directives:

IEC 61326-1:2012 (EN61326-1:2013)

FCC Part 15 Subpart B: 2015

IECS-003, Issue 6

2014/35/EU (Low Voltage Directive)

2012/19/EU (WEEE)

RoHS3 (EU 2015/863)

Safety Standards:

EN/IEC 61010-1 ed. 3.1, 2017

UL Std. 61010-1 ed. 3, 2012

CAN/CSA C22.2 No. 61010-1-12 (R2017)

This device complies with Canadian ICES-001

Signed:



Gary Kamees

Title: Vice President Product Development/Manufacturing

Location: Vernon Hills, IL

Date of Issue: June 2022

UKCA Declaration Of Conformity

Manufacturer: Heathrow Scientific® LLC, 620 Lakeview Parkway, Vernon Hills, IL 60061 USA

Product: RF3000

Product Model No(s): HS3000

This unit has been constructed and conforms to the following:

Directives and Regulations:

Electrical Equipment (Safety) Regulations 2016

The Restriction of the Use of Certain Hazardous Substances in Electrical and Electronic Equipment Regulations 2012

The Electromagnetic Compatibility Regulations 2016

EMC Standards and Directives:

IEC 61326-1:2012 (EN61326-1:2013)

IECS-003, Issue 6

Safety Standards:

EN/IEC 61010-1 ed. 3.1, 2017

UL Std. 61010-1 ed. 3, 2012

CAN/CSA C22.2 No. 61010-1-12 (R2017)

This device complies with Canadian ICES-001

Signed:



Gary Kamees

Title: Vice President Product Development/Manufacturing

Location: Vernon Hills, IL

Date of Issue: October 2022

Getting Started

Remove the contents from the package, examining them carefully for breakage, defects, or shortages. Save the packaging.

Charging the Battery

For transport safety reasons, the instrument is shipped with minimal battery charge. The battery must be charged before initial use.

WARNING!

Use original battery charger only!

The use of a different charger could damage the battery or product and would void the warranty.

Confirm that the voltage of the adapter matches the AC voltage of the electrical outlet.

Before starting to charge, confirm that the voltage and the plug of the AC adapter is identical to the main power supply at the outlet. See below if the plug type is not identical and needs to be changed.

1. The temperature range for recharging is 50 to 95°F (10 to 35°C).
2. Plug the Micro USB connector into the base of the instrument. Or insert the Micro USB connector into the stand and place the instrument on the stand.

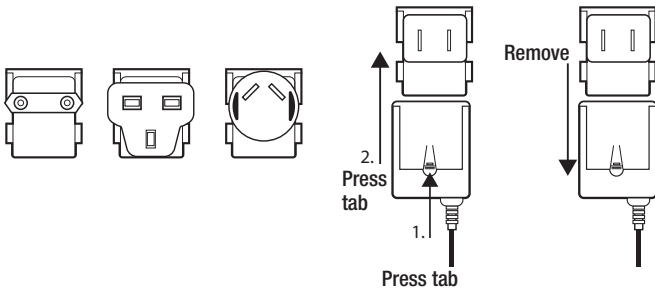
The Micro USB connector can only be inserted one way into the unit. Forcing the plug into the housing will damage both Micro USB and socket, thus voiding the warranty.

3. Insert the plug of the AC adapter into a suitable wall outlet.
4. Allow to charge up to 6 hours from empty to fully charged. The green light blinks when charging.
5. Once the instrument is fully charged, the adapter automatically switches to a trickle charge operation and the red indicator will turn off.

Notes

- When fully charged, the instrument can be operated for approximately 20 hours.
- If using the Pipette Controller daily, the product can be charged over night or any convenient time. A residual charge of approximately 10% is available when the red LED has lit.

Changing the AC Adapter Plug Type

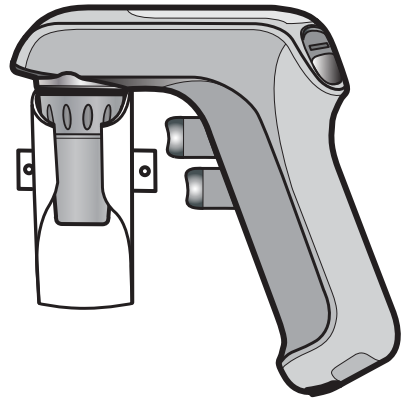


Mounting the Holder

For storage, insert the Pipette Controller in the wall holder.

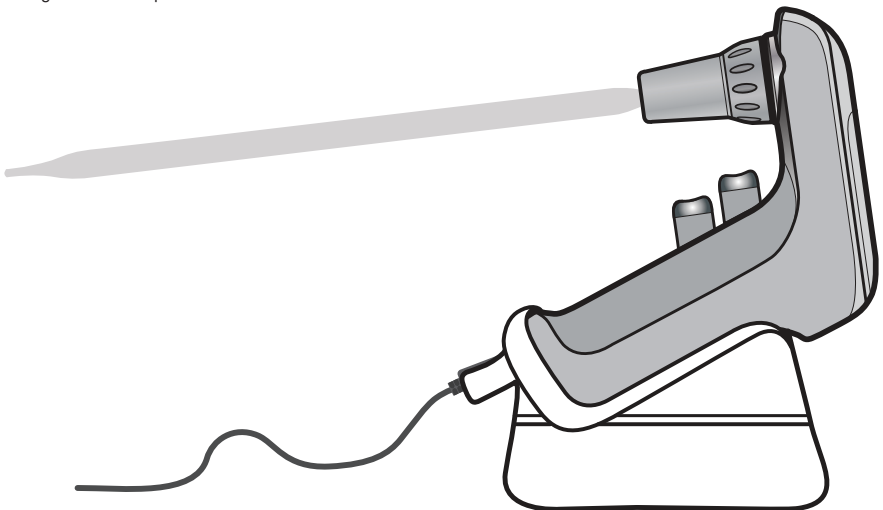
Mounting options:

1. The magnetized holder will grip a metal surface to provide support for the instrument.
2. Wall mount the holder with screws.



Using the Stand

For charging, place the Pipette Controller in the stand with the connector inserted in the stand. A pipette can stay inserted within the controller within the stand during charging. Do not place near doors or the edge of benchtop.



Pipetting

Attaching the Pipette

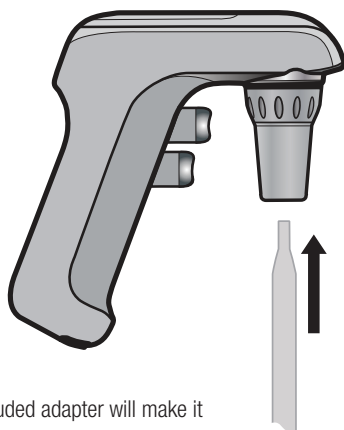
Prior to attaching the pipette, inspect the pipette's top end for damage. A chipped pipette may damage the silicone pipette adapter.

Holding the pipette as near to the top as possible, carefully push it into the nozzle for a secure fit.



When using a 1 mL pipette, the included adapter will make it more stable.

First insert the 1 mL adapter into the nozzle then insert the pipette.



CAUTION!

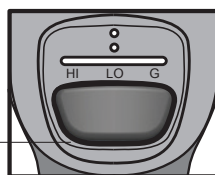
Do not use force when inserting the pipette. Excessive force can cause the pipette to break. Use extra caution when inserting thin pipettes.

Once the pipette has been securely attached, always hold the instrument in a vertical position with the pipette tip facing down.

Filling the Pipette

Set the pump speed with the mode button on the top of the instrument. Pressing the mode button will cycle through High, Low and Gravity settings. Set on high speed for use with large-volume pipettes or low speed for use with small-volume pipettes. Select the gravity mode (G on the unit) for "to contain" pipettes for low speed aspiration and gravity-driven delivery.

Pump speed mode button



Immerse the pipette tip into the liquid. Slowly press the aspirating button (upper pipetting button). The speed of aspiration is dependent on the amount the button is depressed. Fill the pipette so that the meniscus is just above the desired volume.

Wipe the outer surface of the pipette tip to remove residual liquid. Place the tip of the pipette against the side wall of the container. Slowly press the dispensing button (lower pipetting button) until the meniscus is exactly level with the desired volume.

CAUTION!

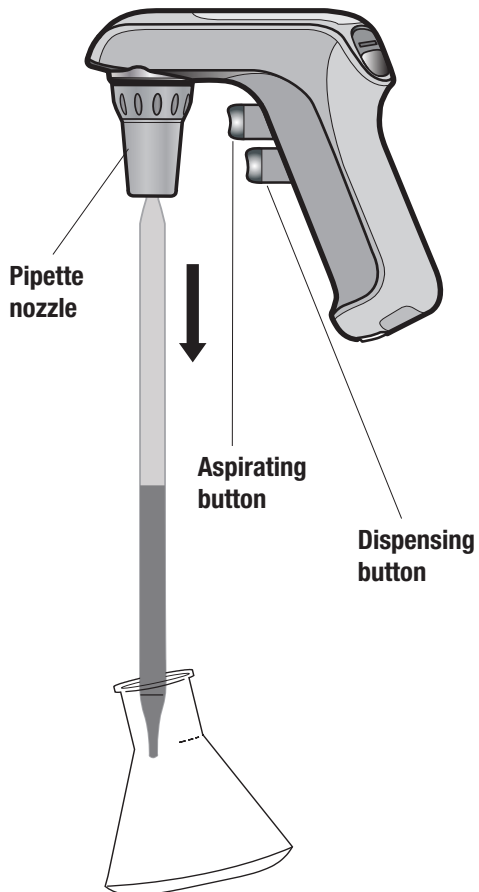
Take care to avoid aspirating the liquid into the Pipette Controller which can impair performance. If liquid is aspirated into the unit, clean the pipette adapter and nose cone per instructions under "Maintenance". If necessary, replace the filter.

Dispensing

Place the pipette tip at an angle against the inside of the receiving vessel. Slowly press the dispensing button (lower pipetting button). The dispensing speed is dependent upon the pressure/distance the button is depressed.

In the "Blow-Out" mode where the pump speed slide switch is set to "High" or "Low", the dispensing button activates the pump to blow-out all liquid from the pipette.

In the "Gravity" mode (G-on the unit), the dispensing button does not activate the pump. The liquid is dispensed by gravity. The pipette volume can be regulated using various degrees of finger pressure. This mode is for "To Contain" pipettes.



Maintenance

The Pipette Controller is normally maintenance-free. When necessary, the housing can be wiped occasionally using a damp cloth.

Cleaning the Pipette Adapter and Replacing the Filter

CAUTION!

When cleaning and exchanging the filter, wear protective gloves and safety goggles to avoid the risk of splashes and contamination.

If liquid has entered the nozzle or if the aspirating efficiency has decreased, observe the following instructions:

1. Hold the pipette over a container and remove the pipette.
2. Gently unscrew the nozzle.
3. Remove the filter.
4. Remove the pipette adapter from the nose cone by pushing it upwards.
5. Rinse the pipette adapter with demineralized water and allow to dry at room temperature.
6. The filter's smooth sided connector must be facing the pipette adapter. The filter's stepped, larger diameter connector should be facing the filter adapter. Push the filter adapter onto the filter.
7. Reassemble the instrument by reversing the steps above.
8. Test instrument for leaks, see "Checking for Leaks" (below).

Notes

- Not all membrane filters are suitable for use with the instrument.
For proper performance, only use the manufacturer's recommended replacement filters.
- The pipette adapter, nozzle, and filter adapter may be steam sterilized at 121°C for 20 minutes.
- It is the user's responsibility to ensure proper sterilization.

Checking for Leaks

When the pipette has been filled, liquid should not drip from the pipette. Should the pipette drip, disassemble the pipette adapter, filter, and filter adapter. Carefully reassemble. If necessary, replace worn parts. See "Ordering Information".

Recharging the Battery

One full charge of the battery allows approximately 20 hours of continuous pipetting. Decreasing motor power and/or a lit red “Low-Battery Indicator” LED, indicate the need for recharging.

For environmental reasons, the Pipette Controller is powered by a rechargeable battery, which does not contain Cadmium or Mercury.

WARNING!

Use original power adapter only!

The use of a different charger could damage the battery or the unit and would void the warranty.

Confirm that the voltage of the AC adapter matches the voltage of the electrical outlet.

Before starting to charge, confirm that the input voltage of the AC adapter is identical to the main power supply at the outlet.

1. The temperature range for recharging is 50 to 95°F (10 to 35°C).
2. Plug the Micro USB connector into the base of the instrument. Or insert the Micro USB connector into the stand and place the instrument on the benchtop stand. Note: Micro USB plug only fits into unit one way.
3. Insert the plug of the AC adapter into a suitable wall outlet.
4. Allow to charge up to 6 hours from empty to fully charged. The green light blinks when charging.
5. The Pipette Controller is fully charged when the green light stays on.

Notes

— When fully charged, the Pipette Controller can operate for approximately 20 hours.

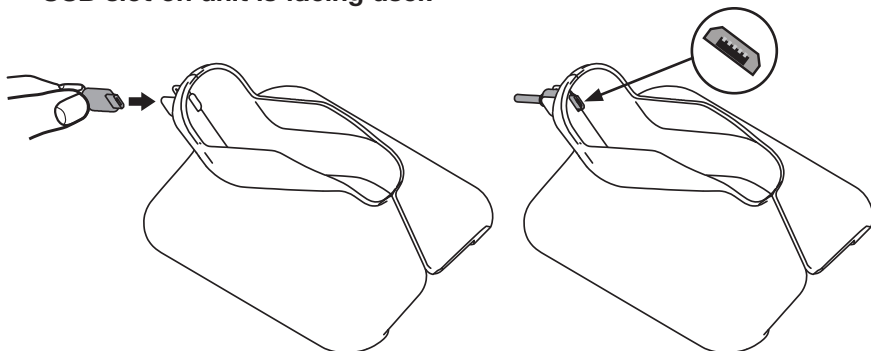
— If using the instrument daily, the product can be charged overnight or any time. A residual charge of approximately 10% is available when the red LED has lit. If the red LED blinks when a trigger is pulled, this indicates the battery is too low to use the product and must be charged.



Low battery LED (red -top)
Battery charge LED (green - bottom)

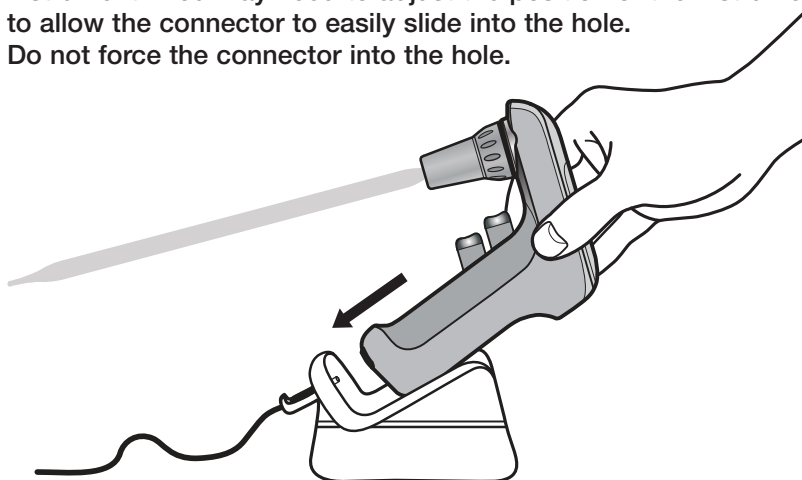
To Insert Connector into Bench Top Stand.

1. Place the Micro USB connector into the stand as shown. Make sure USB symbol on connector and stand are adjacent when USB slot on unit is facing user.



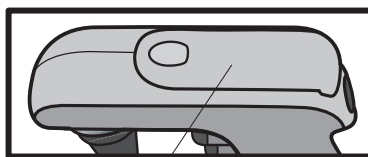
To Insert Pipette Controller into Stand.

1. Place the connector into the stand as shown.
2. Grasp the stand with the other hand and slide the instrument down the stand.
3. Make sure the connector inserts into the hole on the bottom of the instrument. You may need to adjust the position of the instrument to allow the connector to easily slide into the hole.
4. Do not force the connector into the hole.



Replacing the Battery

Instrument must only be used with the original manufacturer's battery. Battery must be completely discharged before disposal. Disposal should be performed in accordance with all governmental regulations.



Slide battery compartment cover open

Warning!

Improper use of the instrument or the battery such as short-circuiting, mechanical damage, or overheating, may cause an explosion or other event that could harm the user. Only use battery recommended by the manufacturer. Follow the battery replacement procedure closely.

1. Remove battery compartment cover.
2. Carefully remove battery. Gently disconnect the connector from the receptacle in the unit.
3. Insert the connector of the new battery back into the receptacle and insert the battery into the compartment.
4. Replace battery compartment cover.

Warning!

Confirm that the voltage of the adapter matches the voltage of the electrical outlet.

Trouble Shooting

Trouble	Possible Cause	Solution
Reduced aspirating efficiency	<ul style="list-style-type: none">– Filter wetted– Battery discharged	<ul style="list-style-type: none">– Replace filter– Recharge the battery
Pipette drips	<ul style="list-style-type: none">– Filter installed upside down– Pipette or pipette adapter damaged	<ul style="list-style-type: none">– Reinstall filter– Check pipette and pipette adapter; replace if damaged
Pipette is loose	<ul style="list-style-type: none">– Pipette adapter is dirty or damaged	<ul style="list-style-type: none">– Clean pipette adapter; replace if damaged
Reduced operating time with fully-charged battery	<ul style="list-style-type: none">– Battery worn– Instrument or AC adapter failed	<ul style="list-style-type: none">– Contact Heathrow Scientific® if in warranty– Contact Heathrow Scientific® if in warranty

If the above recommendations do not solve current problems, contact Heathrow Scientific® directly.

Ordering Information

Pipette Controller with AC adapter, 5 nozzles, holder, stand, and spare filter.....	HS3000
Pipette holder, silicone.....	HS5000RFP
Nozzle, polypropylene, set of 5 colors.....	120487
Replacement filters, 0.45µm, pack of 5	HS5000RFFIL
Battery	HS300502

Return for Repair

Important:

Transporting hazardous materials without a permit is a violation of federal law.

Heathrow Scientific® will not accept any Pipette Controller that is not appropriately cleaned and decontaminated.

In the unlikely event of the unit needing repair, or where damage to the unit necessitates return, contact Heathrow Scientific® and obtain return authorization **before** sending your instrument for service.

Warranty

Limited Warranty

Heathrow Scientific® warrants the Pipette Controller will be free from material defects in workmanship and material for 5 years from the date of purchase.

If you believe that there is a defect in the product, you must, during the warranty period, notify Heathrow Scientific®, provide proof of purchase, and return the product to Heathrow Scientific® with a Return Authorization form. To obtain a Return Authorization form, please call 1-847-816-5070.

If Heathrow Scientific® is properly notified and, after inspection confirms that there is a defect and the warranty period has not expired, Heathrow Scientific® will repair, modify, or replace the product, at its sole option, at no charge.

OTHER THAN THIS LIMITED WARRANTY, HEATHROW SCIENTIFIC® MAKES NO WARRANTIES, EXPRESS OR IMPLIED, WITH RESPECT TO THE QUALITY OR PERFORMANCE OF THE PRODUCT, INCLUDING BUT NOT LIMITED TO THE IMPLIED WARRANTIES OF MERCHANTABILITY AND FITNESS FOR PARTICULAR PURPOSE WHICH ARE HEREBY DISCLAIMED AND EXCLUDED. HEATHROW SCIENTIFIC® WILL IN NO EVENT BE LIABLE FOR ANY LOSS OF USE, LOSS OF PROFITS, CONSEQUENTIAL, SPECIAL, EXEMPLARY OR PUNITIVE DAMAGES. THIS WARRANTY DOES NOT COVER:

- ANY DEFECT OR DAMAGE CAUSED BY IMPROPER OR UNREASONABLE USE OF THE PRODUCT. (THE PIPETTE CONTROLLER IS DESIGNED FOR USE ONLY BY TRAINED LABORATORY TECHNICIANS. USE BY ANYONE ELSE WILL VOID THIS WARRANTY.)
- ANY PRODUCT THAT HAS BEEN, IN HEATHROW SCIENTIFIC®'S SOLE JUDGEMENT, TAMPERED WITH, ALTERED, OR REPAIRED BY ANYONE OTHER THAN HEATHROW SCIENTIFIC®.
- ANY PRODUCT THAT IS INOPERATIVE BECAUSE OF: (a) WEAR OCCASIONED BY USE, (b) NEGLIGENCE, (c) ACCIDENT, (d) INCORRECT MAINTENANCE, OR (e) USE UNDER ABNORMAL CONDITIONS OF TEMPERATURE, DIRT OR CORROSION, OR USE WITH ABRASIVE OR CORROSIVE MATERIALS.
- ACCESSORY PARTS, SUCH AS RUBBER PARTS, THAT ARE DAMAGED BY LIQUIDS OR MISUSE.

IN NO EVENT WILL HEATHROW SCIENTIFIC®'S OBLIGATION UNDER THIS WARRANTY EXCEED THE PRICE OF THE PRODUCT.

Table des matières

Précautions de sécurité	19-20
Description du produit	20
Composants	21
Données techniques	22-23
Mise en fonctionnement	
Chargement des battery.....	24
Montage du support mural	25
Utilisation du socle	25
Pipetage	
Fixation de la pipette	26
Remplissage de la pipette	26
Dispensation	27
Entretien	
Nettoyage de l'adaptateur de la pipette et remplacement du filtre	28
Contrôle des fuites.....	28
Rechargement des battery.....	29-30
Remplacement des battery.....	30-31
Dépannage	31
Renseignements relatifs aux commandes	32
Retour pour réparation	32
Garantie	32-33

Précautions de sécurité

Le contrôleur de pipette pourrait entrer en contact avec des substances dangereuses. Le présent manuel d'utilisation ne peut répertorier tous les risques d'accident. Il incombe à l'utilisateur de consulter et d'observer toutes les précautions de santé et de sécurité et d'évaluer l'adéquation de l'appareil à l'usage prévu.

1. Avant de faire fonctionner l'appareil, lisez ce manuel d'instructions.
2. Observez les précautions et les règlements usuels de sécurité en laboratoire.
3. Prenez toutes les précautions de la fiche signalétique de sécurité de produit (FSSP) à l'égard de tout réactif utilisé avec l'appareil.
4. Ne faites jamais fonctionner l'appareil dans un milieu dangereux ou inflammable.
5. Ne faites pas de pipetage avec des solvants inflammables comme l'acétone ou l'éther.
6. Travaillez toujours de façon à ne pas exposer l'utilisateur ni toute autre personne à un danger.
7. N'utilisez l'appareil que pour le pipetage, et dans les limites recommandées de sa résistance chimique et de ses propriétés mécaniques.
8. N'appliquez jamais de force lorsque vous utilisez l'appareil.
9. Lorsque l'appareil n'est pas utilisé, rangez-le dans son socle ou son support mural.
10. Si l'appareil ne fonctionne pas conformément aux spécifications, cessez immédiatement le pipetage. Nettoyez et mettez au point l'appareil en conformité avec les instructions sous la rubrique « Dépannage » avant toute réutilisation.
11. N'utilisez que des accessoires (adaptateur CA, socle et support mural) et des pièces de rechange d'origine du fabricant (filtres, cône et adaptateur de la pipette).
12. Seul l'adaptateur CA d'origine doit être utilisé pour le rechargement des batteries.
13. Le connecteur Micro USB ne peut être inséré que dans l'unité.
14. Le fait de forcer la fiche dans le boîtier endommage à la fois le Micro USB et
15. N'immergez pas l'appareil dans des liquides et ne l'utilisez pas quand vos mains sont mouillées.
16. Les réparations doivent uniquement être effectuées par des techniciens de service compétents et approuvés.
17. Ouvrir l'enveloppe de l'appareil ou utiliser l'appareil à mauvais escient annule la garantie. En cas de défaillance pendant la période de garantie, contactez Heathrow Scientific® pour réclamer un service de garantie (reportez-vous à la section « Garantie »).

18. L'appareil doit seulement être utilisé avec les batteries d'origine du fabricant.
19. Les batteries doivent être entièrement déchargées avant leur mise au rebut. La mise au rebut doit être conforme à tous les règlements gouvernementaux.

Avertissement!

Si vous n'utilisez pas l'appareil selon les recommandations du fabricant, vous en compromettez la sécurité.

Avertissement!

Vérifiez la fiche de données de sécurité, portez un équipement de protection individuelle requis et observez toutes les réglementations locales et nationales applicables avant distribution et élimination d'échantillons dangereux. Utilisez uniquement des pipettes adaptées à l'échantillon.

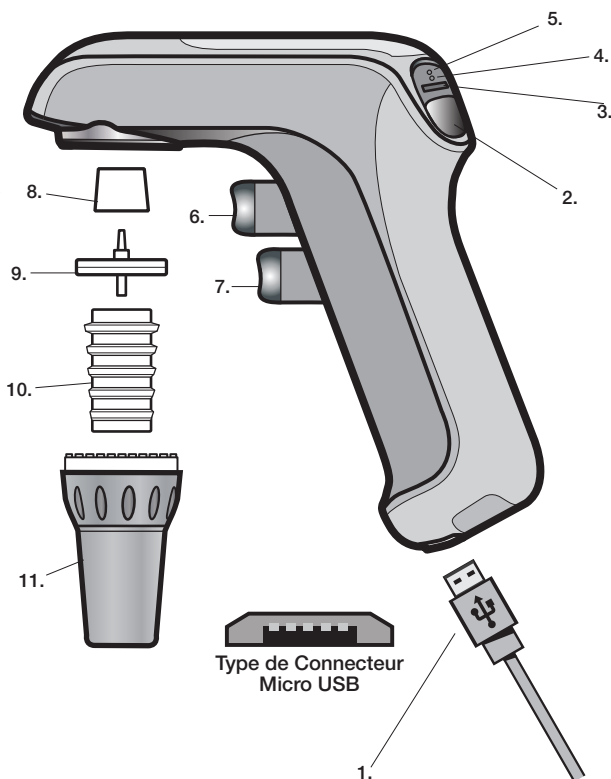
Description du produit

Le contrôleur de pipette a été conçu pour faciliter le remplissage et la dispensation du contenu des pipettes. Il peut accueillir des pipettes graduées et volumétriques, fabriquées de verre ou de plastique, et pour mesurer des liquides de 0,1 à 100 mL. Il n'est pas conçu pour une utilisation avec des pipettes de type Pasteur.

Si l'appareil est utilisé correctement, les liquides pipetés n'entreront en contact qu'avec la pipette. L'aspiration ou la pression nécessaire pour remplir et dispenser le liquide est générée par une pompe. La vitesse de remplissage ou de dispensation de la pompe peut être configurée à l'aide de la commande de vitesse de la pompe. Réglez la pompe sur « vitesse élevée » lorsque vous utilisez des pipettes de grand volume ou sur « basse vitesse » pour des pipettes de petit volume. Sélectionnez le mode « Gravité » (indiqué par la lettre « G » sur l'appareil) pour les pipettes « calibrées pour contenir » pour une aspiration en vitesse lente et une distribution soumise à la gravité.

Composantes

1. Adaptateur CA
2. Bouton « Mode de vitesse » de la pompe
3. Témoin de l'état des modes
4. Témoin du niveau de la charge
5. Témoin de batterie faible
6. Bouton « Aspiration »
7. Bouton « Dispensation »
8. Adaptateur du filtre
9. Filtre
10. Support de pipette
11. Embout conique de la pipette



Responsabilités en matière d'élimination :

L'équipement que vous avez acheté peut contenir des substances dangereuses susceptibles de nuire à l'environnement. Selon les règlements concernant les dispositifs électroniques dans la Communauté Européenne, vous devez utiliser les systèmes d'élimination appropriés pour éviter l'exposition de ces substances à l'environnement. Les systèmes d'élimination réutiliseront ou recycleront les matériels dangereux de votre équipement d'une façon responsable.



Le symbole de la poubelle à roue barrée d'une croix vous invite à utiliser ces systèmes.

Si vous avez besoin de plus d'informations sur les systèmes de collecte, de réutilisation et de recyclage des déchets, veuillez contacter votre administration locale ou régionale de traitement des déchets. Vous pouvez aussi nous contacter pour plus d'informations sur la performance environnementale de nos produits.

Données techniques

Pipettes : contenance de 1 à 100 mL, pipettes en verre ou en plastique

Conditions de fonctionnement :

Électricité : 100-240~, 50/60 Hz, 0,25 A

Température ambiante : de 5°C à 40°C

Altitude: up to 2,000m

Humidité relative : ≤ 80 % sans condensation

Conditions d'entreposage :

Température d'entreposage : de 20 °C à 55 °C

Humidité relative : ≤90% sans condensation

Battery :

une batterie Li-Ion remplaçable; autonomie d'environ 20 heures

Spécifications électriques : 5 V ,1 A CC

Matériaux

Boîtier : ABS

Cône : Polypropylène

Support de pipette : Silicone

Filtre : de type PTFE, 25 mm de diamètre, 0.45 µm d'épaisseur; boîtier en polypropylène

Le contrôleur de pipette ne doit pas être utilisé avec des liquides dont les vapeurs sont incompatibles avec la silicone, l'ABS et le polyoxyméthylène, le PTFE, le polypropylène et le caoutchouc nitrile.

Avertissement!

Cet appareil ne doit pas être utilisé ni rechargé dans une atmosphère explosive. Les liquides hautement inflammables (éther, acétone et d'autres liquides avec un point d'éclair inférieur à 0 °C) ne doivent pas être pipetés.



Ce sigle est la confirmation que l'appareil est conforme aux directives de l'UE et qu'il a été testé selon la déclaration de conformité de l'UE.

Déclaration De Conformité De L'UE

Fabricant: Heathrow Scientific® LLC, 620 Lakeview Parkway, Vernon Hills, IL 60061 USA

Point de contact en Europe: Emergo, Europe, Princessegracht 20, 2514AP, The Hague, The Netherlands

Modèle: RF3000

Numéro(s) de modèle: HS3000

Cet appareil a été construit conformément aux normes suivantes:

Normes et directives EMC:

IEC 61326-1:2012 (EN61326-1:2013)

FCC Part 15 Subpart B: 2015

IECS-003, Issue 6

2014/35/EU (Low Voltage Directive)

2012/19/EU (WEEE)

RoHS3 (EU 2015/863)

Normes de sécurité:

EN/IEC 61010-1 ed. 3.1, 2017

UL Std. 61010-1 ed. 3, 2012

CAN/CSA C22.2 No. 61010-1-12 (R2017)

Cet appareil est conforme à la norme NMB-001 du Canada

Signé:



Gary Kamees

Titre: Vice President Product Development/Manufacturing

Adresse: Vernon Hills, IL

Date d'émission: Juin 2022



Mise en fonctionnement

Retirez le contenu de l'emballage et vérifiez soigneusement qu'il n'y a pas de signes de bris, de défauts ou de pièces manquantes. Conservez l'emballage.

Chargement des battery

Pour des raisons de sécurité lors du transport, le contrôleur de pipette est livré avec une charge minimale des battery. Les battery doivent être chargées avant la première utilisation.

Avertissement!

N'utilisez que le chargeur de battery d'origine.

L'utilisation d'un chargeur différent risque d'endommager la batterie ou le produit et entraîne l'annulation de la garantie.

Assurez-vous que la tension CA de l'adaptateur est identique à la tension CA de la prise électrique.

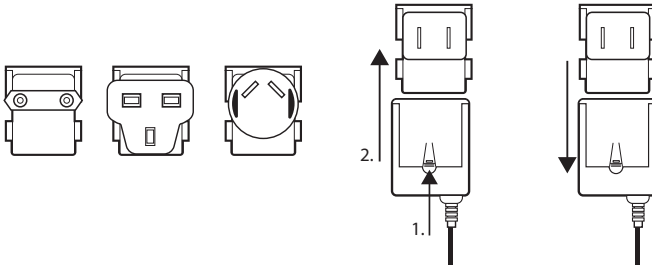
Avant de commencer le chargement de la batterie, assurez-vous que la tension de la fiche de l'adaptateur CA est identique à celle de l'alimentation électrique de la prise murale. Consultez l'illustration ci-dessous si le type de fiche n'est pas convenable et que la fiche doit être changée.

1. La plage des températures pour le rechargement des battery est de 10 °C à 35 °C (de 50 °F à 95 °F).
2. Branchez le connecteur de l'adaptateur CA dans la base du contrôleur de pipette. Ou insérez le connecteur dans le socle et insérez le contrôleur de pipette dans celui-ci.
3. Le mini connecteur USB ne peut être inséré que dans l'unité. Le fait de forcer la fiche dans le boîtier endommagera les deux mini USB et
4. Insérez la fiche de l'adaptateur CA dans une prise murale convenable.
5. Le chargement dure environ 6 heures pour obtenir une charge complète. Le témoin vert clignote durant le chargement.
6. Une fois que le contrôleur de pipette est entièrement chargé, l'adaptateur permute automatiquement sur un fonctionnement en charge d'entretien et le témoin rouge s'éteint.

Remarques

- Lorsqu'il est entièrement chargé, le contrôleur de pipette peut être utilisé pendant environ 20 heures.
- Si vous utilisez le contrôleur de pipette quotidiennement, l'appareil peut être rechargé la nuit ou à tout moment qui vous convient. Une charge résiduelle d'environ 10 % est disponible lorsque la DEL rouge est allumée.

Changement du type de fiche de l'adaptateur CA

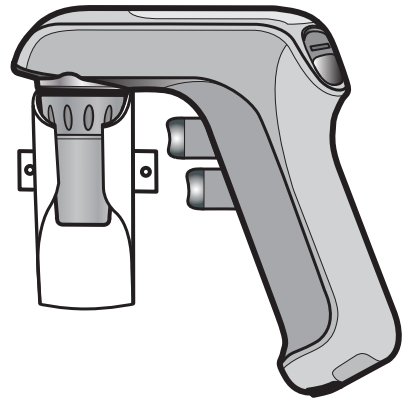


Montage du support mural

Pour ranger le contrôleur de pipette, insérez-le dans son support mural.

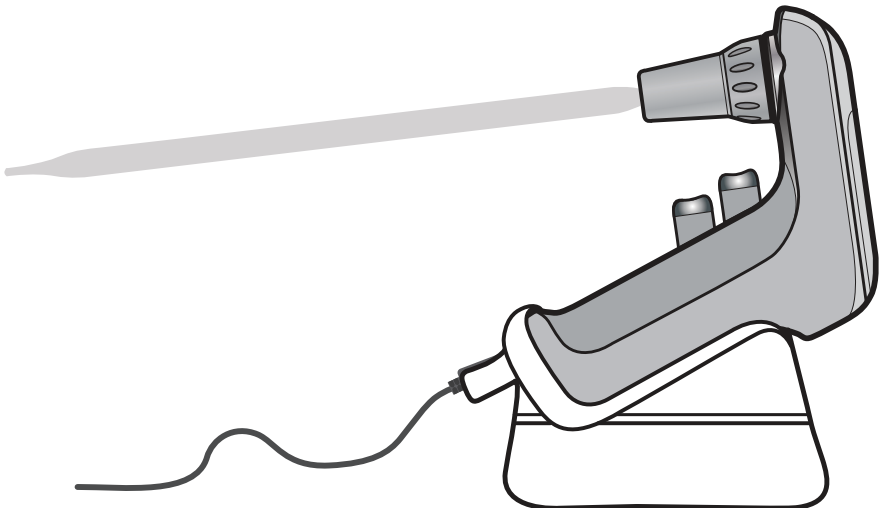
Options de montage :

1. Le support mural doté d'un aimant fournira une prise sur une surface métallique afin de soutenir le contrôleur de pipette.
2. Fixez le support sur le mur en utilisant des vis.



Utilisation du socle

Pour charger le contrôleur de pipette, placez-le dans son socle, avec le connecteur étant inséré dans celui-ci. Il est possible d'insérer une pipette dans le contrôleur dans le socle lorsque le chargement est en cours. Ne placez pas le socle à proximité d'une porte ou près du rebord de la table de laboratoire.

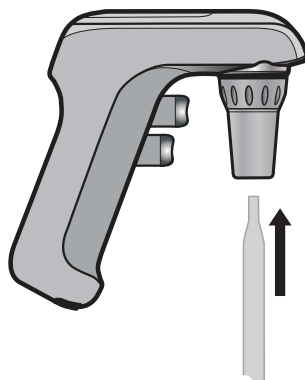


Pipetage

Fixation de la pipette

Avant de fixer la pipette, vérifiez que la partie supérieure de la pipette n'est pas endommagée. Une pipette ébréchée risque d'endommager l'adaptateur de la pipette en silicone.

En maintenant la pipette aussi près que possible du haut, introduisez-la soigneusement dans l'embout conique tout en veillant à ce qu'elle soit bien mise en place.



Lorsque vous utilisez une petite pipette de 1 mL, servez-vous de l'adaptateur inclus pour la rendre stable. Insérez d'abord l'adaptateur pour pipettes de 1 mL dans l'embout conique de la pipette. Ensuite, insérez-y la pipette.

Attention!

N'appliquez pas de force lorsque vous insérez la pipette. Une force excessive risque de casser la pipette. Soyez particulièrement prudent(e) lorsque vous insérez des pipettes fines.

Une fois la pipette mise en place de façon sécuritaire, maintenez le contrôleur de pipette constamment en position verticale, avec la pointe de la pipette orientée vers le bas.

Remplissage de la pipette

Réglez la vitesse souhaitée de la pompe à l'aide du bouton « Mode » sur la partie supérieure du contrôleur de pipette. Appuyez sur le bouton « Mode permet » pour passer à travers les réglages de vitesse de « élevée » à « faible » et les réglages de gravité. Réglez la pompe sur « vitesse élevée » lorsque vous utilisez des pipettes de grand volume ou sur « basse vitesse » pour des pipettes de petit volume. Sélectionnez le mode « Gravité » (indiqué par la lettre « G » sur l'instrument) pour les pipettes « calibrées pour contenir » pour une aspiration en vitesse lente et une distribution soumise à la gravité.

Bouton « Mode de vitesse » de la pompe



Immergez la pointe de la pipette dans le liquide. Appuyez lentement sur le bouton « Aspiration » (bouton de pipetage du haut). La vitesse de l'aspiration dépend de l'importance de la pression sur ce bouton. Remplissez la pipette de sorte que le ménisque soit juste au-dessus du volume désiré.

Nettoyez la surface extérieure de la pointe de la pipette pour retirer le liquide résiduel. Placez la pointe contre la paroi du contenant. Appuyez lentement sur le bouton « Dispensation » (bouton de pipetage du bas) jusqu'à ce que le ménisque soit exactement au même niveau que celui du volume désiré.

Attention!

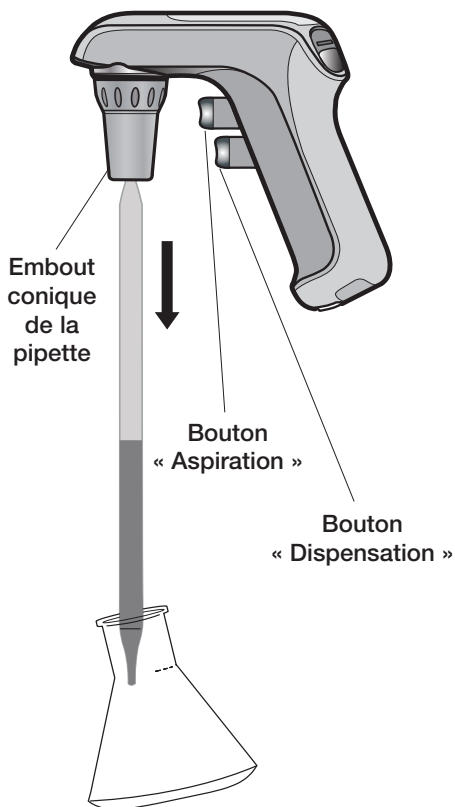
Prenez soin d'éviter d'aspirer le liquide dans le contrôleur de pipette, car cela pourrait affecter le bon fonctionnement. Si un liquide est aspiré dans l'appareil, nettoyez l'adaptateur de la pipette et le cône en suivant les instructions sous la rubrique « Entretien ». Remplacez le filtre, au besoin.

Dispensation

En tenant le contenant incliné, placez la pointe de la pipette contre la paroi intérieure de ce dernier. Appuyez lentement sur le bouton « Dispensation » (bouton de pipetage du bas). La vitesse de distribution dépend de l'importance de la pression appliquée sur le bouton et de la distance.

Dans le mode « Soufflage », lorsque le commutateur à glissière de la pompe est réglé sur « Élevé » ou sur « Bas », le bouton « Dispensation » active la pompe pour évacuer par soufflage tout le liquide de la pipette

Dans le mode « Gravité » (indiqué par la lettre « G » sur l'appareil), le bouton « Dispensation » n'active pas la pompe. Le liquide est dispensé par gravité. Le volume de la pipette peut être réglé en utilisant la pression du doigt à divers degrés. Ce mode est destiné aux pipettes « calibrées pour contenir ».



Entretien

Le contrôleur de pipette ne nécessite en principe aucun entretien. Si cela devait être nécessaire, nettoyez le boîtier occasionnellement avec un chiffon humide.

Nettoyage de l'adaptateur de la pipette et remplacement du filtre

Attention!

Lorsque vous nettoyez ou remplacez le filtre, portez des gants et des lunettes de sécurité pour éviter tout risque d'éclaboussures et de contamination.

Si un liquide a pénétré l'embout conique ou si l'efficacité de l'aspiration est diminuée, suivez les instructions suivantes :

1. Maintenez la pipette au-dessus d'un contenant et retirez la pipette.
2. Dévissez délicatement l'embout conique.
3. Retirez le filtre.
4. Retirez l'adaptateur de la pipette de l'embout conique en le poussant vers le haut.
5. Rincez l'adaptateur de la pipette avec de l'eau déminéralisée et laissez-le sécher à température ambiante.
6. La partie lisse du connecteur du filtre doit être placée contre l'adaptateur de la pipette. Le connecteur cannelée et de plus grand diamètre du filtre doit être placé contre l'adaptateur du filtre. Appuyez sur l'adaptateur du filtre pour l'insérer dans ce dernier.
7. Réassemblez le contrôleur de pipette en inversant les étapes indiquées ci-dessus.
8. Vérifiez que le contrôleur de pipette n'a pas de fuites. Reportez-vous à la section « Contrôle des fuites » (ci-dessous).

Remarques

- Certains filtres à membrane ne conviennent pas à une utilisation avec le contrôleur de pipette.
- Pour assurer un fonctionnement approprié, n'utilisez que les filtres de remplacement recommandés par le fabricant.
- L'adaptateur de la pipette, l'embout conique et l'adaptateur du filtre peuvent être stérilisés à la vapeur à 121 °C pendant 20 minutes.
- Il est de la responsabilité de l'utilisateur de s'assurer d'une bonne stérilisation.

Contrôle des fuites

Lorsque la pipette est remplie, le liquide ne doit pas s'en écouler. Si tel est le cas, démontez l'adaptateur de la pipette, le filtre et l'adaptateur du filtre. Remontez soigneusement les pièces démontées. Remplacez les pièces usées, au besoin. Reportez-vous aux renseignements relatifs aux commandes.

Rechargement des battery

Une charge complète des battery permet environ 20 heures de pipetage continu. Une baisse de puissance du moteur ou l'allumage du témoin DEL rouge de batterie faible indiquent que les battery doivent être rechargées.

Pour des raisons environnementaux, le contrôleur de pipette fonctionne sur une batterie rechargeable qui est exempte de cadmium et de mercure.

Avertissement!

N'utilisez que le chargeur de battery d'origine.

L'utilisation d'un chargeur différent risque d'endommager les battery ou le produit et entraîne l'annulation de la garantie.

Assurez-vous que la tension CA de l'adaptateur est identique à la tension CA de la prise électrique.

Avant de commencer le chargement de la batterie, assurez-vous que la tension d'entrée l'adaptateur CA est identique à celle de l'alimentation électrique de la prise murale. 5°F (10 to 35°C).

1. La plage des températures pour le rechargement des battery est de 10 °C à 35 °C (de 50 °F à 95 °F).
2. Branchez le connecteur de l'adaptateur CA dans la base du contrôleur de pipette. Ou insérez le connecteur dans le socle sur la table de laboratoire, puis insérez le contrôleur de pipette dans le socle
Remarque: la prise Mini USB ne convient en une seule voie.
3. Insérez la fiche de l'adaptateur CA dans une prise murale convenable.
4. Le chargement de la batterie dure environ 6 heures pour obtenir une charge complète. Le témoin vert clignote durant le chargement.
5. Le contrôleur de pipette est complètement chargé lorsque le témoin vert reste allumé.

Remarques

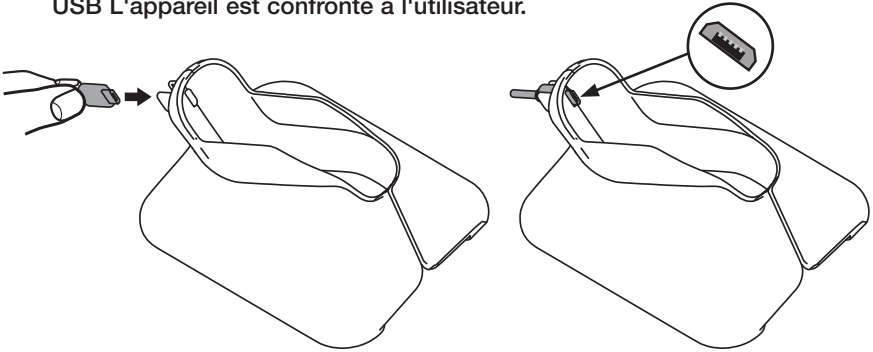
- Lorsqu'il est entièrement chargé, le contrôleur de pipette peut être utilisé pendant environ 20 heures.
- Si vous utilisez le contrôleur de pipette quotidiennement, l'appareil peut être rechargé la nuit ou à tout moment qui vous convient. Une charge résiduelle d'environ 10 % est disponible lorsque la DEL rouge est allumée. Si le témoin DEL rouge clignote lorsque la gâchette est actionnée, cela indique que la batterie est trop faible et qu'elle doit être rechargée pour pouvoir utiliser l'appareil.



Témoin DEL de batterie faible (rouge – en haut)
Témoin DEL du niveau de la charge (vert – en bas)

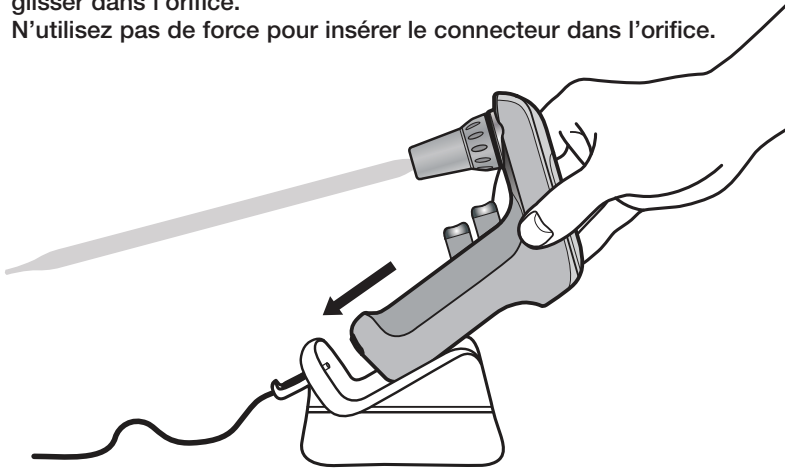
Insertion du connecteur dans le socle sur la table de laboratoire.

1. Insérez le connecteur dans le socle comme illustré. Assure-toi que symbole USB sur le connecteur et le support sont adjacents lorsque l'emplacement USB L'appareil est confronté à l'utilisateur.



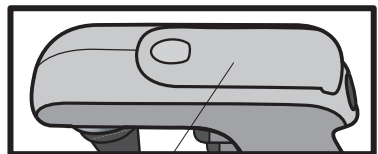
Insertion du contrôleur de pipette dans le socle.

1. Insérez le connecteur dans le socle comme illustré.
2. Saisissez le socle avec l'autre main et glissez le contrôleur de pipette vers le bas dans le socle.
3. Assurez-vous que le connecteur s'insère dans l'orifice au bas du contrôleur de pipette. Il se peut que vous deviez ajuster la position du contrôleur de pipette pour permettre au connecteur de facilement glisser dans l'orifice.
4. N'utilisez pas de force pour insérer le connecteur dans l'orifice.



Remplacement des battery

L'appareil ne doit être utilisé qu'avec les battery d'origine du fabricant. Les battery doivent être entièrement déchargées avant leur mise au rebut. La mise au rebut être conforme à tous les règlements gouvernementaux.



Glissez le couvercle pour ouvrir le compartiment à battery.

Avertissement!

Une utilisation inappropriée de l'appareil ou des battery, qui entraîne un court-circuit, des dommages mécaniques ou une surchauffe du moteur, risque également de provoquer une explosion ou tout autre événement susceptible de blesser l'utilisateur.

N'utilisez que des battery recommandées par le fabricant. Suivez soigneusement les étapes de remplacement des battery.

1. Retirez le couvercle du compartiment à batterie.
2. Retirez délicatement la batterie. Déconnectez soigneusement le connecteur de la prise de l'appareil.
3. Branchez le connecteur du nouveau bloc de batterie sur la prise et insérez la batterie dans le compartiment.
4. Remplacez le couvercle du compartiment à battery.

Avertissement!

Assurez-vous que la tension CA de l'adaptateur est identique à la tension CA de la prise électrique.

Dépannage

Problème	Cause possible	Solution
Efficacité de l'aspiration réduite	<ul style="list-style-type: none">– Filtre humide– Remplacer le filtre	<ul style="list-style-type: none">– Battery déchargées– Recharger les battery
La pipette est fuit	<ul style="list-style-type: none">– Le filtre a été installé à l'envers– Réinstaller le filtre	<ul style="list-style-type: none">– La pipette ou l'adaptateur de la pipette est endommagé(e)– Vérifier la pipette et l'adaptateur de la pipette; les replacer s'ils sont endommagés
La pipette est lâche	<ul style="list-style-type: none">– L'adaptateur de la pipette est sale ou endommagé	<ul style="list-style-type: none">– Nettoyer l'adaptateur de la pipette; le remplacer s'il est endommagé
Durée de fonctionnement réduite avec des battery entièrement chargées	<ul style="list-style-type: none">– Les battery sont usées– L'appareil ou l'adaptateur CA est défectueux	<ul style="list-style-type: none">– Communiquer avec Heathrow Scientific® si la garantie est toujours en vigueur– Communiquer avec Heathrow Scientific® si la garantie est toujours en vigueur

Si les recommandations précédentes ne règlent pas les problèmes, veuillez communiquer directement avec Heathrow Scientific®.

Renseignements relatifs aux commandes

Contrôleur de pipette avec adaptateur CA, 5 embouts coniques, support mural, socle et 1 filtre de rechangeHS3000
Socle de pipette, siliconeHS5000RFP
Embout conique, polypropylène, ensemble de 5 couleurs.....120487
Filtres de remplacement, 0,45 µm, ensemble de 5 HS5000RFFIL
BatterieHS300502

Retour pour réparation

Important :

Le transport de matières dangereuses sans permis constitue une infraction à la loi fédérale.

Heathrow Scientific® n'acceptera aucun appareil contrôleur de pipette qui n'a pas été adéquatement nettoyé et décontaminé.

Dans la faible éventualité d'une réparation ou si l'appareil doit être retourné pour cause de dommages, contactez Heathrow Scientific® et obtenez une autorisation de retour de marchandise avant d'expédier le contrôleur de pipette en vue d'un service de réparation.

Garantie

Garantie limitée

Heathrow Scientific® garantit pendant 5 ans à partir de la date d'achat que le contrôleur de pipette sera exempt de tout défaut de matériaux et de fabrication.

Si vous croyez que le produit comporte un défaut, vous devez, pendant la période de validité de la garantie, en informer Heathrow Scientific®, fournir une preuve d'achat et retourner le produit à Heathrow Scientific®, accompagné d'un formulaire d'autorisation de retour de marchandise. Pour vous procurer ce formulaire, composez le 1 847 816-5070.

Si Heathrow Scientific® est avisée en bonne et due forme et, qu'après inspection, elle confirme la présence d'un défaut pendant que la période de garantie est toujours en cours, Heathrow Scientific® s'engage, à sa seule discrétion, à réparer, à modifier ou à remplacer le produit sans frais.

OUTRE LA PRÉSENTE GARANTIE LIMITÉE, HEATHROW SCIENTIFIC® NE CONSENTE AUCUNE AUTRE GARANTIE, EXPRESSE OU IMPLICITE, À L'ÉGARD DE LA QUALITÉ OU DE LA PERFORMANCE DU PRODUIT, Y COMPRIS, MAIS NON EXCLUSIVEMENT, TOUTE GARANTIE IMPLICITE DE QUALITÉ MARCHANDE ET D'ADAPTATION À UN USAGE PARTICULIER, LESQUELLES GARANTIES SONT PAR LES PRÉSENTES DÉCLINÉES ET EXCLUES. HEATHROW SCIENTIFIC® NE SERA EN AUCUN CAS TENUE RESPONSABLE DE TOUTE PERTE D'USAGE, DE TOUT MANQUE À GAGNER ET DE TOUT DOMMAGE-INTÉRÊT CONSÉCUTIF, PARTICULIER, EXEMPLAIRE PUNITIF.

LA PRÉSENTE GARANTIE NE COUVRE :

- AUCUN DÉFAUT OU DOMMAGE DÉCOULANT D'UNE UTILISATION À MAUVAIS ESCIENT OU DÉRAISONNABLE DU PRODUIT. (LE CONTRÔLEUR DE PIPETTE EST DESTINÉ AUX TECHNICIENS DE LABORATOIRE COMPÉTENTS SEULEMENT. SON UTILISATION PAR TOUTE AUTRE PERSONNE ANNULE LA GARANTIE.)
- AUCUN PRODUIT QUI A ÉTÉ, SELON LE JUGEMENT EXCLUSIF DE HEATHROW SCIENTIFIC®, TRAFIQUÉ, ALTÉRÉ OU RÉPARÉ PAR QUICONQUE AUTRE QUE HEATHROW SCIENTIFIC®.
- AUCUN PRODUIT HORS FONCTION À CAUSE : (a) D'UNE USURE PAR L'USAGE, (b) D'UNE NÉGLIGENCE, (c) D'UN ACCIDENT, (d) D'UN MAUVAIS ENTRETIEN OU (e) D'UNE UTILISATION DANS DES CONDITIONS ANORMALES DE TEMPÉRATURE, DE SALETÉ OU DE CORROSION OU ENCORE À CAUSE D'UNE UTILISATION AVEC DES SUBSTANCES ABRASIVES OU CORROSIVES.
- ACCESSOIRES (PIÈCES EN CAOUTCHOUC, ETC.) ABÎMÉS PAR DES LIQUIDES OU UNE UTILISATION À MAUVAIS ESCIENT.

L'OBLIGATION DE HEATHROW SCIENTIFIC® EN VERTU DE LA PRÉSENTE GARANTIE NE DÉPASSERA EN AUCUN CAS LE PRIX DU PRODUIT.

Índice

Precauciones de seguridad	35-36
Descripción del producto	36
Componentes	37
Datos técnicos	38-39
Cómo comenzar	
Carga de batería	40
Montaje del soporte.....	41
Uso de la base	41
Pipetas	
Conexión de la pipeta.....	42
Llenado de la pipeta	42
Suministro.....	43
Mantenimiento	
Limpieza del adaptador de pipeta y cambio de filtro.....	44
Control de pérdidas	44
Recarga de batería	45-46
Cambio de batería	46
Diagnóstico y solución de problemas	47
Información para hacer pedidos	48
Devolución para reparaciones	48
Garantía	48-49

Precauciones de seguridad

El controlador de pipeta puede utilizarse con materiales peligrosos. Este manual de instrucciones no aborda todos los riesgos para la seguridad. Es responsabilidad del usuario consultar y observar todas las precauciones de salud y seguridad y evaluar la idoneidad del instrumento para la tarea.

1. Lea este manual antes de operar el instrumento.
2. Observe las precauciones y reglamentaciones generales de seguridad del laboratorio.
3. Siga todas las precauciones indicadas en la Hoja de Datos de Seguridad de Materiales (MSDS) de los reactivos que utilice con este instrumento.
4. Nunca opere el instrumento en un ambiente peligroso o inflamable.
5. No use la pipeta con solventes inflamables tales como acetona o éter.
6. Trabaje siempre de manera tal de no poner en riesgo al usuario ni a ninguna otra persona.
7. Use el instrumento sólo para pipetear y dentro de los límites recomendados de su resistencia química y propiedades mecánicas.
8. Nunca utilice la fuerza al usar este instrumento.
9. Cuando el instrumento no esté en uso, colóquelo en la base o en el soporte.
10. En caso de que el instrumento no funcione de acuerdo con las especificaciones, detenga de inmediato el pipeteado. Realice la limpieza y diagnostique y solucione el problema del instrumento según las instrucciones especificadas en “Diagnóstico y solución de problemas” antes de seguir usando el instrumento.
11. Utilice solamente accesorios (adaptador de CA, base y soporte) y repuestos (filtros, pieza de nariz y adaptador de pipeta) del fabricante original.
12. Sólo se usará el adaptador de CA original para recargar las batería.
13. El conector Micro USB sólo se puede insertar de una forma en la unidad. Forzar el enchufe en la carcasa dañará el Micro USB y, anulando así la garantía
14. No lo sumerja en ningún líquido ni lo use con las manos mojadas.
15. Las reparaciones deberán ser realizadas sólo por personal capacitado del servicio técnico autorizado.
16. La apertura del instrumento o el uso inadecuado de él anulará la garantía. En caso de fallas durante el período de garantía, comuníquese con Heathrow Scientific® para el servicio técnico de garantía (consulte la sección Garantía).

17. Sólo se usará el instrumento con batería del fabricante original.
18. Descargue las batería completamente antes de disponer de ellas; lo cual deberá realizarse de conformidad con todas las reglamentaciones gubernamentales.

Avertissement!

Si la unidad no se utiliza según lo recomendado por el fabricante, quedará comprometida la seguridad en general.

Avertissement!

Revise la MSDS, use el equipo de protección personal y respetar todas las regulaciones locales y nacionales aplicables dispensación y eliminación de muestras peligrosas. Utilice únicamente pipetas adecuadas para la muestra.

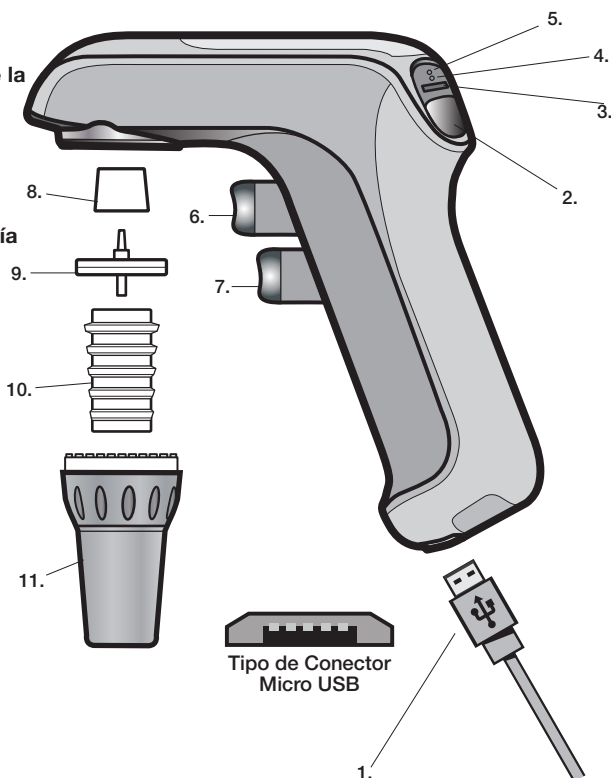
Descripción del producto

El controlador de pipeta ha sido diseñado para asistir en el llenado y despacho de pipetas. Acepta pipetas graduadas y volumétricas de vidrio o plástico y para medición de líquidos de 0,1 a 100 mL. No ha sido diseñado para uso con pipetas Pasteur.

Si se lo usa correctamente, el líquido en la pipeta entrará en contacto sólo con ésta. El vacío o la presión necesaria para llenar o suministrar líquido son generados por una bomba. La velocidad de llenado o de suministro de la bomba puede regularse con un control de velocidad de la bomba. Use el instrumento en velocidad alta con pipetas grandes y en baja con pipetas pequeñas. Seleccione el modo de gravedad (G, en la unidad) para {contenedor} pipetas para aspiración a baja velocidad y entrega accionada por gravedad.

Componentes

1. Conector Micro USB
2. Botón de modo de velocidad de la bomba
3. Luz del indicador de modo
4. Luz del indicador de carga
5. Luz del indicador de poca batería
6. Botón de aspiración
7. Botón de suministro
8. Adaptador de filtro
9. Filtro
10. Soporte de pipeta
11. Boca de pipeta



Responsabilidad por la disposición de sustancias

El equipo que usted adquirió puede contener sustancias peligrosas que podrían impactar en el ambiente. De acuerdo con las reglamentaciones sobre dispositivos electrónicos en la Comunidad Europea, se deben emplear sistemas de disposición adecuados para evitar la exposición de dichas sustancias al ambiente. Los sistemas de disposición reutilizarán o reciclarán los materiales peligrosos de su equipo de manera responsable.



El símbolo del cesto con rueditas tachado lo invita a emplear dichos sistemas.

Si necesita más información acerca de los sistemas de recolección, reutilización y reciclado, comuníquese con la administración de residuos local o regional de su área. También puede ponerse en contacto con nosotros para solicitar información adicional acerca del desempeño ambiental de nuestros productos.

Datos técnicos

Pipetas:	Pipetas (de vidrio o plástico) de 1 a 100 mL
Condiciones operativas:	Eléctricas: 100-240~, 50/60 Hz, 0,25 Amps Temperatura ambiente: de 5°C a 40°C Altitude: up to 2,000m Humedad relativa: < 80% sin condensar
Condiciones de almacenamiento:	Temperatura de almacenamiento: de 20°C a 55°C Humedad relativa: < 90% sin condensar
Batería:	Una, de Li-Ion reemplazable; funcionamiento aproximado de 20 horas
Requisitos de alimentación:	5v 1A de c.c.
Materiales:	
Carcasa:	ABS
Cono de nariz:	Polipropileno
Soporte de pipeta:	Silicona
Filtro:	Filtro de politetrafluoretileno de 25 mm de diámetro y 0,45µm; Carcasa de polipropileno

El controlador de pipeta no deberá ser utilizado con líquidos cuyos vapores sean incompatibles con silicona, ABS+polioximetileno, politetrafluoretileno, polipropileno y caucho nitrilo butadieno (NBR).

¡Advertencia!

Este instrumento no deberá ser utilizado ni recargado en una atmósfera explosiva. Los líquidos altamente inflamables (por ej.: éter, acetona y otros líquidos con un punto de ebullición por debajo de los 0°C no deben pipetarse).



Esta marca es la confirmación de que la unidad cumple con las pautas de la Unión Europea y de que ha sido testada de conformidad con la siguiente Declaración de Conformidad de la Unión Europea.

Declaración De Conformidad De La UE

Fabricante: Heathrow Scientific® LLC, 620 Lakeview Parkway, Vernon Hills, IL 60061 USA

Contacto Europeo: Emergo, Europe, Princessegracht 20, 2514AP, The Hague, The Netherlands

Modelo: RF3000

Número de modelo: HS3000

Esta unidad ha sido construida y cumple con las siguientes normas:

Normas de compatibilidad electromagnética:

IEC 61326-1:2012 (EN61326-1:2013)

FCC Part 15 Subpart B: 2015

IECS-003, Issue 6

2014/35/EU (Low Voltage Directive)

2012/19/EU (WEEE)

RoHS3 (EU 2015/863)

Normas de seguridad:

EN/IEC 61010-1 ed. 3.1, 2017

UL Std. 61010-1 ed. 3, 2012

CAN/CSA C22.2 No. 61010-1-12 (R2017)

Este dispositivo cumple con la norma Canadiense ICES-001

Firmado : 

Gary Kamees

Título: Vice President Product Development/Manufacturing

Domicilio: Vernon Hills, IL

Fecha de emisión: Junio 2022



Cómo comenzar

Retire el contenido del paquete; revise bien las piezas a fin de controlar que no estén rotas, defectuosas o faltantes. Guarde el embalaje.

Carga de batería

Por razones de seguridad de transporte, el controlador de pipeta se envía con una carga mínima de batería. Cargue éstas antes de usar el instrumento por primera vez.

¡Advertencia!

¡Utilice sólo el cargador de baterías original!

El uso de otro cargador podría dañar la batería o el producto y anular la garantía. Confirme que la tensión del adaptador coincide con la tensión de CA del tomacorriente.

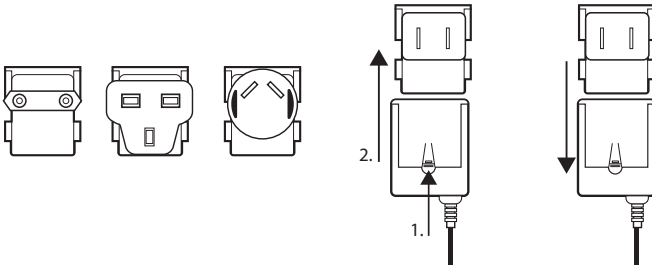
Antes de comenzar a cargar, confirme que la tensión y el enchufe del adaptador de CA es idéntica a la de la alimentación en el tomacorriente. Vea más abajo si el tipo de enchufe no es idéntico y debe cambiarse.

1. El rango de temperaturas de la recarga es de 50 a 95°F (de 10 a 35°C).
2. Enchufe el conector del adaptador de CA en la base del controlador de pipeta, o bien inserte el conector en la base y coloque el instrumento en ella.
3. El mini conector USB sólo se puede insertar de una forma en la unidad. Forzar el enchufe en la caja dañará tanto el mini USB como, anulando así la garantía.
4. Inserte el enchufe del adaptador de CA en un tomacorriente de pared adecuado.
5. Deje cargar el instrumento un máximo de 6 horas hasta que esté completamente cargado. La luz verde parpadeará durante la carga.
6. Una vez que el controlador de pipeta esté completamente cargado, el adaptador cambiará automáticamente al funcionamiento de carga lenta y el indicador rojo se apagará.

Notas

- Cuando está completamente cargado, el controlador de pipeta puede funcionar 20 horas aproximadamente.
- Si usa el controlador de pipeta diariamente, puede cargar el instrumento a la noche o en horas convenientes. Hay disponible una carga residual de casi un 10% cuando se enciende el indicador rojo.

Cambio del tipo de enchufe del adaptador de CA

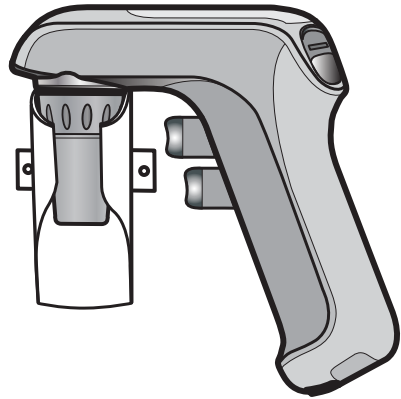


Montaje del soporte

Para almacenamiento, inserte el controlador de pipeta, en el soporte de pared.

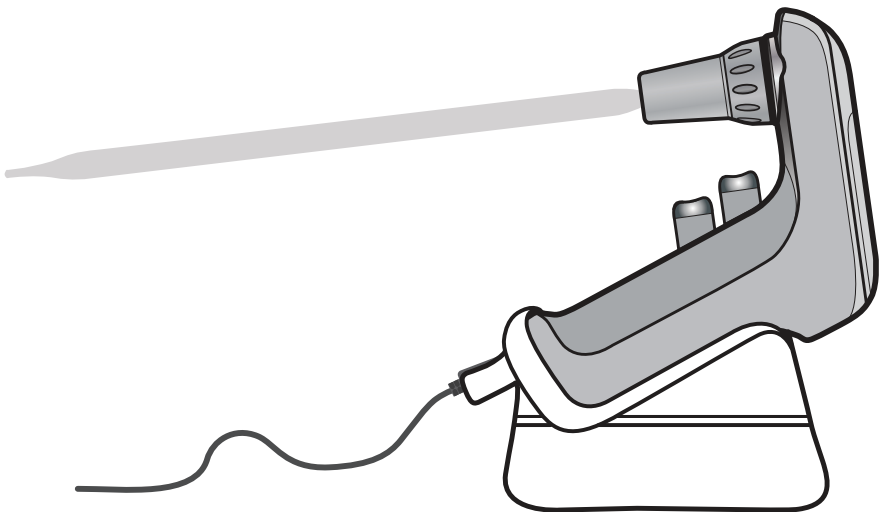
Opciones de montaje:

1. El soporte imantado sujetará una superficie de metal para sostener al controlador de pipeta.
2. Fije el soporte a la pared con tornillos.



Uso de la base

Para la carga, coloque el controlador de pipeta en la base, con el conector insertado en ella. Una pipeta puede permanecer insertada en el controlador de la base durante la carga. No coloque el instrumento cerca de puertas ni al borde de una mesada.

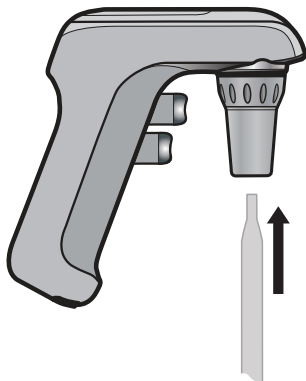


Pipeteado

Conexión de la pipeta

Antes de conectar la pipeta, inspeccione el extremo superior de ésta a fin de verificar que no esté dañada. Una pipeta astillada puede dañar el adaptador de pipetas de silicona.

Sosteniendo la pipeta tan cerca como se pueda de la parte superior, empújela con cuidado para encajarla bien en la boca.



Cuando use una pipeta de 1 mL, el adaptador incluido permitirá que sea más estable.

Primero inserte el adaptador de 1 mL en la boca; después, inserte la pipeta.

¡Precaución!

No use la fuerza para insertar la pipeta. Un exceso de fuerza podrá romperla. Tenga mucho cuidado al insertar pipetas delgadas.

Una vez que la pipeta fue conectada en forma segura, sostenga siempre el controlador de pipeta en posición vertical, con la cara de la pipeta hacia abajo.

Llenado de la pipeta

Ajuste la velocidad de la bomba con el botón de modo que se encuentra en la parte superior del controlador de pipeta. Al pulsar el botón de modo, éste alternará entre las posiciones High (Alta), Low (Baja) y Gravity (Gravedad). Regule en alta velocidad para pipetas grandes o en baja velocidad para pipetas pequeñas. Seleccione el modo Gravedad (G, en la unidad) para “contener” pipetas para aspiración a baja velocidad y entrega por gravedad.

Botón de modo de velocidad de la bomba



Sumerja la punta de la pipeta en el líquido. Presione lentamente el botón de aspiración (el botón de pipeteado superior). La velocidad de aspiración depende de cuánto presione el botón. Llene la pipeta para que el menisco quede inmediatamente por encima del volumen deseado.

Limpie la superficie exterior de la punta de la pipeta para quitar el líquido residual. Coloque la punta de la pipeta contra la pared lateral del contenedor. Presione lentamente el botón de suministro (botón de pipeteado inferior) hasta que el menisco quede exactamente nivelado con el volumen deseado.

¡Precaución!

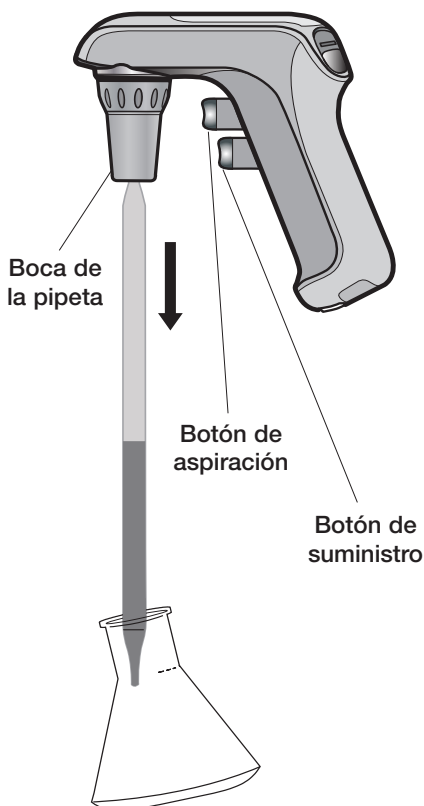
Evite aspirar el líquido en el controlador de pipeta; lo cual podría obstaculizar el desempeño. Si se aspira líquido en la unidad, limpie el adaptador de pipeta y el cono de nariz de acuerdo con las instrucciones especificadas en la sección “Mantenimiento”. De ser necesario, cambie el filtro.

Suministro

Coloque la punta de la pipeta en un ángulo, contra el interior del vaso receptor. Lentamente, presione el botón de suministro (botón de pipeteado inferior). La velocidad de suministro depende de la distancia/ presión con que se pulsa el botón.

En el modo “extracción”, donde la perilla deslizante de velocidad de la bomba se regula en Alta o Baja, el botón de suministro activa la bomba para extraer todo el líquido de la pipeta.

En el modo Gravedad (G, en la unidad), el botón de suministro no activa la bomba. El líquido se entrega por gravedad. Puede regularse el volumen de la pipeta utilizando diversos grados de presión del dedo. Este modo es para “contener” pipetas.



Mantenimiento

Normalmente, el controlador de pipeta no tiene mantenimiento. De ser necesario, limpie ocasionalmente la carcasa con un paño húmedo.

Limpeza del adaptador de pipeta y cambio de filtro

¡Advertencia!

Al limpiar o cambiar el filtro, use guantes de protección y gafas de seguridad para prevenir el riesgo de salpicaduras y de contaminación.

Si ha entrado líquido en la boca o si ha disminuido la eficiencia de aspiración, siga las instrucciones que se especifican a continuación:

1. Sostenga la pipeta sobre un contenedor y quítela.
2. Desatornille suavemente la boca.
3. Quite el filtro.
4. Quite el adaptador de pipeta del cono de nariz empujándolo hacia arriba.
5. Lave el adaptador de pipeta con agua desmineralizada y deje secar a temperatura ambiente.
6. El conector suave del filtro debe mirar hacia el adaptador de pipeta. El conector ranurado, de diámetro más grande, debe mirar al adaptador de filtro. Empuje el adaptador contra el filtro.
7. Vuelva a armar el controlador de pipeta invirtiendo los pasos antes listados.
8. Pruebe el controlador de pipeta a fin de controlar que no haya pérdidas; consulte “Control de pérdidas” (más abajo).

Notas

- No todos los filtros de membrana son adecuados para uso con el RF3000™.
- Para un desempeño adecuado, utilice sólo los filtros de reemplazo recomendados por el fabricante.
- El adaptador de pipeta, la boca y el adaptador de filtro deben ser esterilizados al vapor a 121°C durante 20 minutos.
- Es responsabilidad del usuario garantizar la esterilización correcta.

Control de pérdidas

Cuando se haya llenado la pipeta, no debe gotear líquido. En caso de goteo, desmonte el adaptador de pipeta, filtro y adaptador de filtro. Vuelva a armar el conjunto con cuidado. De ser necesario, cambie las piezas gastadas. Consulte “Información de pedidos”.

Recarga de batería

Una carga completa de batería permite aproximadamente 20 horas de pipeteado continuo. Una potencia reducida del motor y/o un indicador rojo encendido de poca batería indica que es necesario una recarga.

A los efectos ambientales, el controlador de pipeta es accionado por una batería recargable, que no contiene cadmio ni mercurio.

¡Advertencia!

Use solamente el cargador de baterías original.

El uso de otro cargador podría dañar las baterías o la unidad y anularía la garantía.

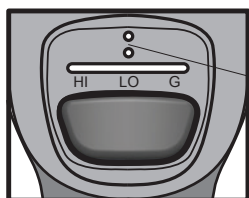
Confirme que la tensión del adaptador de CA coincide con la del tomacorriente.

Antes de comenzar la carga, confirme que la tensión de entrada del adaptador de CA es idéntica a la de la alimentación del tomacorriente.

1. El rango de temperaturas para recarga es de 50 a 95°F (de 10 a 35°C).
2. Enchufe el conector del adaptador de CA en la base del controlador de pipeta, o bien inserte el conector en la base y coloque el controlador de pipeta en la base de mesada. Nota: El enchufe mini USB sólo encaja en una sola unidad.
3. Inserte el enchufe del adaptador de CA en un tomacorriente de pared adecuado.
4. Deje cargar el instrumento por un máximo de 6 horas hasta que esté completamente cargado. La luz verde parpadeará durante la carga.
5. El RF3000™ estará completamente cargado cuando la luz verde permanezca encendida.

Notas

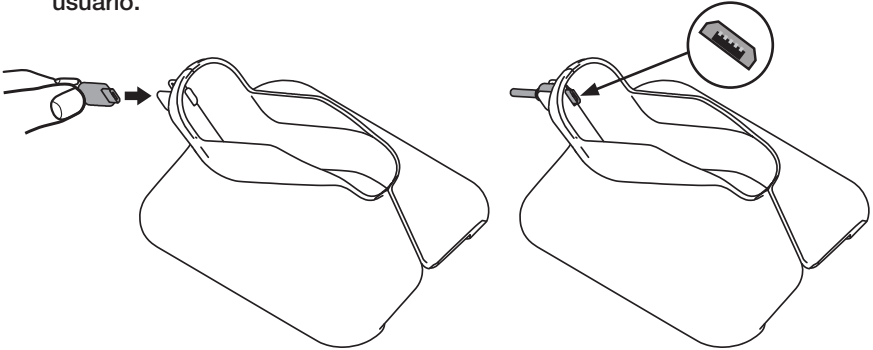
- Cuando está completamente cargado, el controlador de pipeta puede funcionar 20 horas aproximadamente.
- Si usa el controlador de pipeta diariamente, puede cargar el instrumento a la noche o en cualquier momento. Hay disponible una carga residual de casi un 10% cuando se enciende el indicador rojo. Si el indicador rojo parpadea al accionar un disparador, ello indicará que queda muy poca batería para usar el producto y que es necesario cargar el instrumento.



Indicador de poca batería (rojo, superior)
Indicador de carga de batería (verde, inferior)

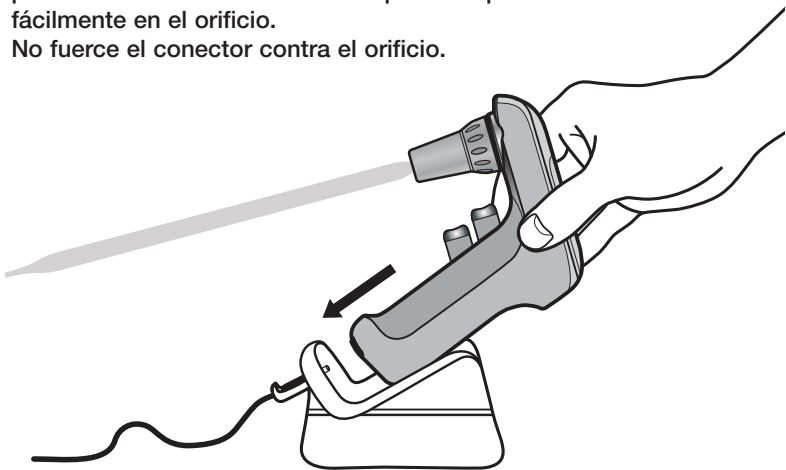
Para insertar el conector en la base de mesada:

1. Coloque el conector micro USB en el soporte como se muestra. Asegúrese de que símbolo USB en el conector y el soporte son adyacentes cuando la ranura micro USB en la unidad se enfrenta al usuario.



Para insertar el controlador de pipeta en la base:

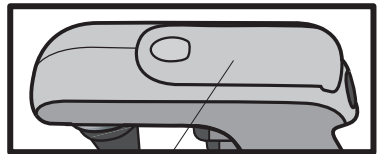
1. Coloque el conector en la base, según se indica.
2. Tome la base con la otra mano y deslice el controlador de pipeta hacia el fondo de la base.
3. Asegúrese de que el conector se inserte en el orificio que se encuentra en la base del controlador de pipeta. Probablemente deba ajustar la posición del instrumento a fin de permitir que el conector se deslice fácilmente en el orificio.
4. No fuerce el conector contra el orificio.



Cambio de batería

Use el instrumento sólo con la batería del fabricante original.

La batería debe estar totalmente descargada antes de disponer de ella. Hágalo de conformidad con todas las reglamentaciones gubernamentales.



Deslice la tapa del compartimiento de batería para abrir éste.

¡Advertencia!

El uso inapropiado del instrumento o de las batería, como por ejemplo, cortocircuitos, daños mecánicos o sobrecalentamiento, puede provocar una exposición u otro evento que podría lastimar al usuario.

Use sólo la batería recomendada por el fabricante.
Siga estrictamente el procedimiento de cambio de batería.

1. Quite la tapa del compartimiento de batería.
2. Retire la batería con cuidado. Desconecte suavemente el conector del receptáculo en la unidad.
3. Inserte nuevamente el conector de la batería nueva en el receptáculo y la batería, en el compartimiento.
4. Vuelva a colocar la tapa del compartimiento de batería.

¡Advertencia!

Confirme que la tensión del adaptador coincide con la del tomacorriente.

Diagnóstico y solución de problemas

Problema	Causa posible	Solución
Eficiencia de aspiración reducida	<ul style="list-style-type: none">— Filtro mojado.— Batería descargadas	<ul style="list-style-type: none">— Cambie el filtro.— Recargue las batería
La pipeta gotea	<ul style="list-style-type: none">— Filtro instalado al revés.— Pipeta o adaptador de pipeta dañados	<ul style="list-style-type: none">— Vuelva a colocar el filtro.— Verifique la pipeta y el adaptador de pipeta; si están dañados, cámbielos
La pipeta está suelta	<ul style="list-style-type: none">— El adaptador de pipeta está sucio o dañado	<ul style="list-style-type: none">— Limpie el adaptador de pipeta; si está dañado, cámbielo
Tiempo de funcionamiento reducido con batería completamente cargadas	<ul style="list-style-type: none">— Batería gastadas.— Falló el instrumento o el adaptador de CA	<ul style="list-style-type: none">— Comuníquese con Heathrow Scientific® si el instrumento está en garantía— Comuníquese con Heathrow Scientific® si el equipo está en garantía

Si las recomendaciones antes enumeradas no resuelven los problemas actuales, póngase en contacto directo con Heathrow Scientific®.

Información para hacer pedidos

Controlador de pipeta con adaptador de CA, 5 bocas, soporte, base y un filtro de repuesto.....	HS3000
Soporte de pipeta, silicona	HS5000RFP
Boca, polipropileno, juego de 5 colores.....	120487
Filtros de reemplazo, 0,45µm, paquete de 5	HS5000RFFIL
Batería	HS300502

Devolución para reparaciones

Importante

El transporte de materiales peligrosos sin permiso constituye una violación de las leyes federales.

Heathrow Scientific® no aceptará ningún controlador de pipeta que no esté debidamente limpio y descontaminado.

En el caso improbable de que la unidad necesite ser reparada, o cuando el daño a la unidad requiera de su devolución, comuníquese con Heathrow Scientific® y obtenga la autorización de devolución antes de enviar el controlador de pipeta para servicio técnico.

Garantía

Garantía limitada

Heathrow Scientific® garantiza que el controlador de pipeta está libre de defectos de materiales en mano de obra y materiales durante 5 años a partir de la fecha de compra.

Si usted considera que el producto es defectuoso, deberá, durante el período de garantía, notificar a Heathrow Scientific®, proporcionar evidencia de compra y devolver el producto a Heathrow Scientific® con el formulario de Autorización de devolución. Para obtenerlo, llame al 1-847-816-5070.

Si Heathrow Scientific® es debidamente notificada y si, después de la inspección, se confirma que hay un defecto y que el período de garantía no ha finalizado, Heathrow Scientific® reparará, modificará o cambiará el producto, a su exclusivo criterio, sin cargo.

CON LA EXCEPCIÓN DE ESTA GARANTÍA LIMITADA, HEATHROW SCIENTIFIC® NO OTORGA GARANTÍAS, EXPRESAS O IMPLÍCITAS, RESPECTO DE LA CALIDAD O DEL DESEMPEÑO DEL PRODUCTO, INCLUIDAS SIN LIMITACIONES, GARANTÍAS DE COMERCIABILIDAD Y APTITUD PARA UN PROPÓSITO PARTICULAR, LAS CUALES POR EL PRESENTE SE NIEGAN Y EXCLUYEN. EN NINGÚN CASO SERÁ HEATHROW SCIENTIFIC® TENIDA COMO RESPONSABLE POR PÉRDIDA ALGUNA POR USO, PÉRDIDA DE GANANCIAS, DAÑOS CONSECUENCIALES, ESPECIALES, EJEMPLARES.

ESTA GARANTÍA NO CUBRE:

- DEFECTOS O DAÑOS CAUSADOS POR USO INAPROPIADO O NO RAZONABLE DEL PRODUCTO (EL CONTROLADOR DE PIPETA) ESTÁ DISEÑADO PARA SER USADO SOLAMENTE POR TÉCNICOS DE LABORATORIO CAPACITADOS. EL USO POR CUALQUIER OTRA PERSONA ANULARÁ ESTA GARANTÍA).
- CUALQUIER PRODUCTO QUE HAYA SIDO, A CRITERIO EXCLUSIVO DE HEATHROW SCIENTIFIC®, ESTROPEADO, ALTERADO O REPARADO POR ALGUIEN QUE NO FUERA HEATHROW SCIENTIFIC®.
- CUALQUIER PRODUCTO QUE ÉSTÉ INOPERANTE DEBIDO A: (a) DESGASTE OCASIONADO POR USO; (b) NEGLIGENCIA; (c) ACCIDENTE; (d) MANTENIMIENTO INCORRECTO; O (e) USO EN CONDICIONES ANORMALES DE TEMPERATURA, SUCIEDAD O CORROSIÓN, O USO CON MATERIALES ABRASIVOS O CORROSIVOS.
- PIEZAS ACCESORIAS TALES COMO PIEZAS DE GOMA QUE SE DAÑEN POR LÍQUIDOS O MAL USO.

EN NINGÚN CASO LA OBLIGACIÓN DE HEATHROW SCIENTIFIC®, EXCEDERÁ EL PRECIO DEL PRODUCTO.

Inhaltsverzeichnis

Sicherheitsmaßnahmen	51-52
Produktbeschreibung	52
Komponenten	53
Technische Daten	54-55
Erste Schritte	
Batterie laden	56
Halterung montieren	57
Ständer benutzen	57
Pipettieren	
Pipette anbringen	58
Pipette füllen	58
Entleeren	59
Wartung	
Pipetten-Adapter reinigen und Filter ersetzen	60
Lecks suchen	60
Batterie wiederaufladen	61-62
Batterie ersetzen	62
Fehlerbehebung	63
Bestellinformation	64
Zur Reparatur einschicken	64
Gewährleistung	64-65

Sicherheitsmaßnahmen

Der Pipette Controller kann auch mit gefährlichen Materialien benutzt werden. Diese Gebrauchsanleitung kann nicht alle Gefahren ansprechen. Es unterliegt der Verantwortung des Benutzers, alle Gesundheits- und Sicherheitsmaßnahmen zu erkennen und zu beachten, sowie die Eignung des Geräts für den bestimmten Zweck zu beurteilen.

1. Lesen Sie diese Bedienungsanleitung bitte vor Inbetriebnahme des Geräts durch.
2. Beachten Sie die allgemeinen Sicherheitsmaßnahmen und Bestimmungen des Labors.
3. Befolgen Sie für jedes in diesem Gerät verwendete Reagens alle Sicherheitsmaßnahmen des Datenblatts für Material Sicherheit.
4. Das Gerät nicht in einer gefahrvollen oder feuergefährlichen Umgebung betreiben.
5. Niemals brennbare Lösungen wie Aceton oder Äther pipettieren.
6. Arbeiten Sie stets auf eine Art und Weise, die weder den Benutzer noch andere Personen gefährdet.
7. Dieses Gerät ausschließlich zum Pipettieren und innerhalb der empfohlenen Beschränkungen seiner Chemikalienbeständigkeit und mechanischen Eigenschaften benutzen.
8. Bei der Benutzung dieses Geräts niemals Gewalt anwenden.
9. Gerät auf dem Ständer oder in der Halterung aufbewahren, wenn es nicht benutzt wird.
10. Sollte das Gerät nicht entsprechend der Angaben funktionieren, hören Sie sofort mit dem Pipettieren auf. Vor der Weiterverwendung das Gerät reinigen und den Fehler gemäß der Anweisungen im Kapitel „Fehlerbehebung“ beheben.
11. Verwenden Sie ausschließlich Originalzubehör (Netzteil, Ständer und Halterung) und Originalersatzteile des Herstellers (Filter, Führungsadapter und Pipetten-Adapter).
12. Zum Wiederaufladen der Batterie nur das Originalnetzteil benutzen.
13. Der Micro-USB-Stecker kann nur in den Gerät gesteckt werden. Das Erzwingen des Steckers in das Gehäuse schädigt sowohl den Micro-USB als auch den Steckdose, wodurch die Garantie erlischt.
14. Gerät nicht in Wasser eintauchen oder mit nassen Händen benutzen.
15. Reparaturen dürfen nur von geschultem und autorisiertem Kundendienstpersonal durchgeführt werden.
16. Durch Öffnen oder unsachgemäße Handhabung des Geräts erlischt die Garantie. Falls während der Garantiezeit ein Fehler auftritt, kontaktieren Sie Heathrow Scientific® LLC für Garantieleistungen (siehe Abschnitt zur Gewährleistung).

17. Das Gerät darf nur mit Originalbatterie betrieben werden.
18. Vor der Entsorgung müssen die Batterie vollständig entladen sein. Die Entsorgung hat in Übereinstimmung mit allen Regierungsvorschriften zu erfolgen.

Achtung!

Wenn das Gerät nicht in Übereinstimmung mit den Empfehlungen des Herstellers verwendet wird, kann die Sicherheit beeinträchtigt werden.

Achtung!

Überprüfen Sie das Sicherheitsdatenblatt, tragen Sie die erforderliche persönliche Schutzausrüstung und Beachten Sie alle anwendbaren lokalen und nationalen Vorschriften vor Abgabe und Entsorgung von gefährlichen Proben. Verwenden Sie nur Pipetten, die für die Probe geeignet sind.

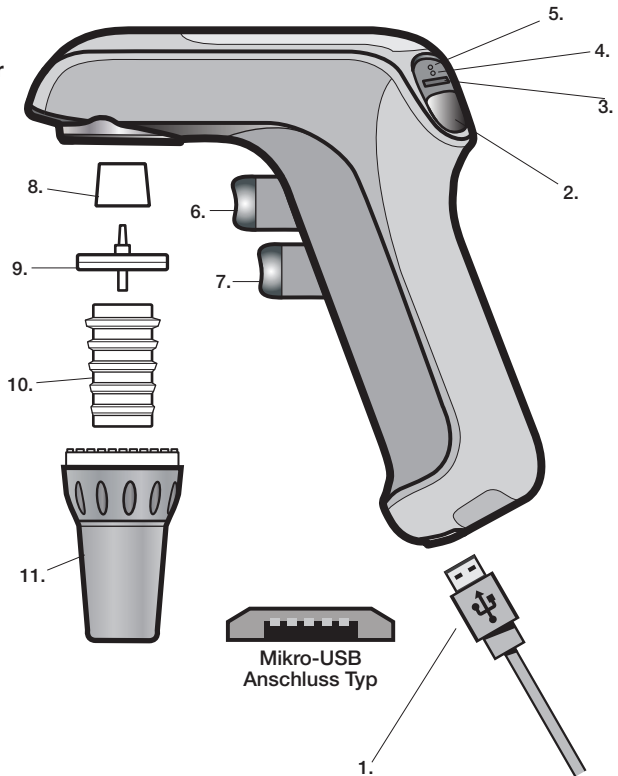
Produktbeschreibung

Der Pipette Controller dient dem Füllen und Entleeren von Pipetten. Skalierte und volumetrische Pipetten aus Glas oder Plastik und zum Messen von Flüssigkeiten zwischen 0,1 und 100 ml können verwendet werden. Pasteur-Pipetten können nicht verwendet werden.

Bei ordnungsgemäßem Gebrauch kommt die pipettierte Flüssigkeit nur mit der Pipette in Kontakt. Das zum Füllen notwendige Vakuum und der zum Entleeren nötige Druck werden von einer Pumpe generiert. Die Füll- und Entleerungsgeschwindigkeit der Pumpe kann mit dem Pumpengeschwindigkeitsregler eingestellt werden. Bei Verwendung von großvolumigen Pipetten auf hohe Geschwindigkeit, bei Verwendung von geringvolumigen Pipetten auf niedrige Geschwindigkeit einstellen. Für langsames Ansaugen mit Vollpipetten und Schwerkraft-Entleerung den Schwerkraft-Modus (auf dem Gerät mit „G“ gekennzeichnet) wählen.

Komponenten

1. Anschlusskabel Mikro-USB
2. Pumpengeschwindigkeitsregler
3. Modusanzeige
4. Ladeanzeige
5. Ladewarnungsanzeige Batterie
6. Ansaugknopf
7. Entleerungsknopf
8. Filteradapter
9. Filter
10. Pipettenhalter
11. Pipetten-Führungsadapter



Entsorgungsverantwortung

Das von Ihnen erworbene Gerät kann umweltschädliche Substanzen beinhalten. Gemäß den Vorschriften zu elektronischen Geräten in der Europäischen Gemeinschaft sind Sie zur Benutzung entsprechender Entsorgungssysteme verpflichtet, um eine umweltschädliche Wirkung dieser Substanzen zu verhindern. Durch diese Entsorgungssysteme ist die verantwortungsvolle Wiederverwertung oder das Recycling gefährlicher Materialien aus Ihrem Gerät gewährleistet.



Das Symbol der durchgestrichenen Mülltonne lädt Sie ein, diese Systeme zu nutzen.

Wenn Sie mehr Informationen über die Sammlungs-, Wiederverwendungs- und Recycling-Systeme benötigen, wenden Sie sich bitte an Ihr lokales oder regionales Entsorgungsunternehmen. Sie haben ebenfalls die Möglichkeit, uns zu kontaktieren, um mehr über die Umweltverträglichkeit unserer Produkte zu erfahren.

Technische Daten

Pipetten:	1 bis 100 ml Pipetten, Glas oder Plastik
Betriebsvoraussetzungen:	Anschlusswert: 100-240~, 50/60 Hz, 0,25 A Raumtemperatur: 5°C bis 40°C Altitude: up to 2,000m Relative Luftfeuchtigkeit: ≤ 80 %, nicht kondensierend
Lagerbedingungen:	Lagertemperatur: 20° C - 55° C Relative Luftfeuchtigkeit: ≤ 90 %, nicht kondensierend
Batterie:	Eine austauschbare Lithium-Ionen-Batterie; ca. 20 h Betriebsdauer
Netzstrom-Anforderungen:	5v 1A Gleichstrom
Materialien:	
Gehäuse:	ABS
Führungsadapter:	Polypropylen
Pipettenhalter:	Silikon
Filter:	PTFE, 25 mm, Querschnitt 0,45µm; Polypropylengehäuse

Der Pipette Controller darf nicht mit Flüssigkeiten verwendet werden, deren Dämpfe nicht mit Silikon, ABS + Polyoxymethylen, PTFE, Polypropylen und NBR kompatibel sind.

Achtung!

Dieses Gerät darf nicht in explosionsgefährdeten Bereichen betrieben oder aufgeladen werden. Leicht entflammare Flüssigkeiten (z. B. Äther, Aceton und andere Flüssigkeiten mit einem Flammpunkt unter 0° C) dürfen nicht pipettiert werden.



Dieses Zeichen bestätigt die Übereinstimmung des Geräts mit den EU-Richtlinien, und dass es gemäß der EU-Konformitätserklärung getestet wurde.

EC Konformitätserklärung

Hersteller: Heathrow Scientific® LLC, 620 Lakeview Parkway, Vernon Hills, IL 60061 USA

Kontakt in Europa: Emergo, Europe, Princessegracht 20, 2514AP, The Hague, The Netherlands

Modell: RF3000

Modellnummer: HS3000

Dieses Gerät entspricht in Herstellung und Funktion den folgenden Sicherheitsstandards:

EMV-Normen und Richtlinien:

IEC 61326-1:2012 (EN61326-1:2013)

FCC Part 15 Subpart B: 2015

IECS-003, Issue 6

2014/35/EU (Low Voltage Directive)

2012/19/EU (WEEE)

RoHS3 (EU 2015/863)

Sicherheitsstandard:

EN/IEC 61010-1 ed. 3.1, 2017

UL Std. 61010-1 ed. 3, 2012

CAN/CSA C22.2 No. 61010-1-12 (R2017)

Dieses Gerät entspricht ICES-001, Kanada

Unterzeichnet:



Gary Kamees

Titel: Vice President Product Development/Manufacturing

Lage: Vernon Hills, IL

Datum der Ausstellung: Juni 2022



Erste Schritte

Nehmen Sie den Inhalt aus der Verpackung und prüfen Sie ihn sorgfältig auf Brüche, Beschädigungen oder fehlende Teile. Bewahren Sie die Verpackung auf.

Batterie laden

Aus Sicherheitsgründen wird der Pipette Controller mit minimaler Batterieladung geliefert. Vor dem ersten Gebrauch müssen die Batterie geladen werden.

Achtung!

Nur das Original-Ladegerät benutzen! Die Verwendung eines anderen Ladegeräts könnte die Batterie oder das Gerät beschädigen und zum Haftungsausschluss führen. Versichern Sie sich, dass die auf dem Netzteil angegebene Spannung (Volt) der Stromspannung der Steckdose entspricht.

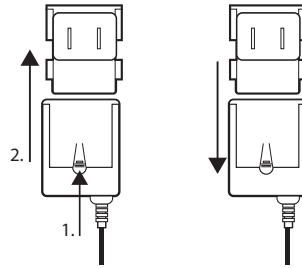
Bevor Sie mit dem Laden beginnen, vergewissern Sie sich, dass Spannungsstärke und Stecker des Netzteils mit der Stromstärke der Steckdose übereinstimmen. Lesen Sie unten, was zu tun ist, wenn der Stecker nicht passt und ausgewechselt werden muss.

1. Der Temperaturbereich zum Wiederaufladen liegt zwischen 10 und 35°C.
2. Schließen Sie das Netzteil am Fuß des Der Pipette Controller oder am Ständer an und setzen Sie den Pipette Controller in den Ständer ein.
3. Der Mini-USB-Stecker kann nur in eine Einheit in das Gerät gesteckt werden. Das Erzwingen des Steckers in das Gehäuse schädigt sowohl Mini-USB als auch Steckdose, wodurch die Garantie erlischt.
4. Stecken Sie den Stromstecker des Netzteils in eine geeignete Steckdose.
5. Das vollständige Laden leerer Batterie dauert bis zu 6 Stunden. Während des Ladens blinkt die grüne Ladeanzeige.
6. Sobald die Der Pipette Controller vollständig geladen ist, schaltet das Netzteil automatisch auf Erhaltungsladebetrieb um und die rote Ladeanzeige erlischt.

Hinweise

- Mit vollständig geladenen Batterie kann der Pipette Controller etwa 20 Stunden lang betrieben werden.
- Bei täglichem Gebrauch kann der Pipette Controller über Nacht oder zu jeder anderen Zeit aufgeladen werden. Bei Aufleuchten der roten Ladeanzeige ist eine Restladung von etwa 10 % vorhanden.

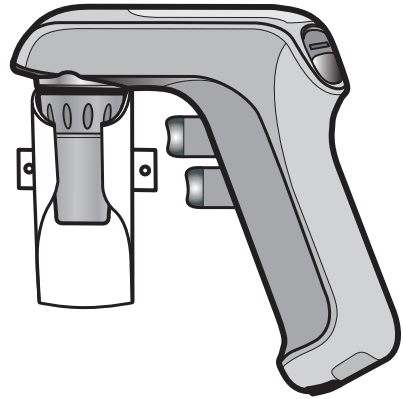
Netzteilsteckertyp auswechseln



Halterung montieren

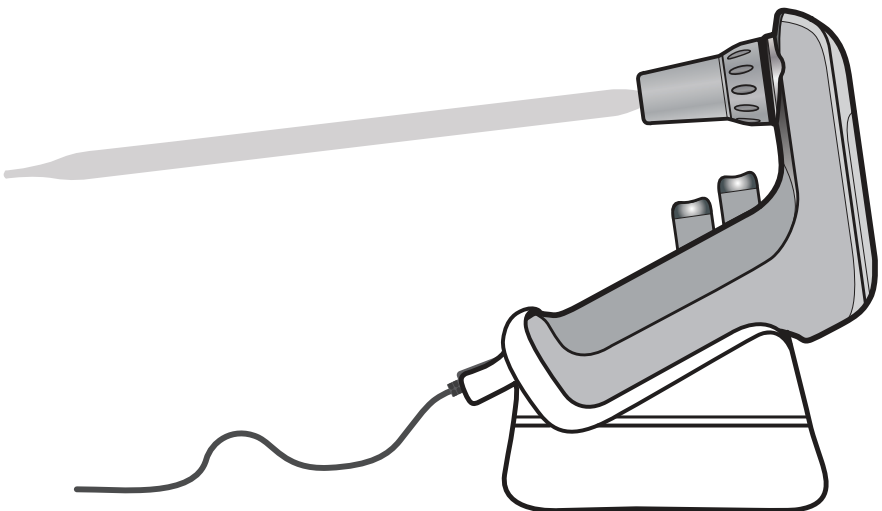
Zur Aufbewahrung den Pipette Controller im Wandhalter platzieren.
Montageoptionen:

1. Die magnetische Halterung gibt dem Pipette Controller an einer Metallfläche Halt.
2. Halterung mit Schrauben an der Wand befestigen.



Ständer benutzen

Der Pipette Controller zum Aufladen in den Ständer legen, wobei das Kabel am Ständer angeschlossen sein muss. Während des Aufladens kann eine Pipette am Gerät befestigt bleiben. Nicht in die Nähe einer Tür oder an den Tischrand stellen.

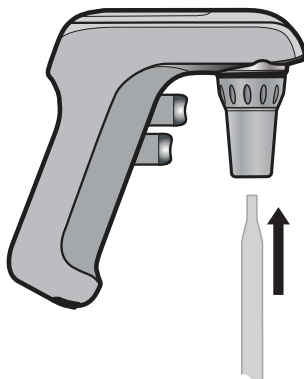


Pipettieren

Pipette einsetzen

Vor dem Einsetzen einer Pipette deren oberes Ende auf Schäden überprüfen. Eine beschädigte Pipette kann den Pipetten-Adapter aus Silikon beschädigen.

Die Pipette so nahe am oberen Ende halten wie möglich und vorsichtig bis zum sicheren Halt in die Öffnung schieben.



Bei Verwendung einer 1 ml Pipette diese mit dem mitgelieferten Adapter stabilisieren.

Zuerst den 1 ml Adapter in die Öffnung einsetzen, danach die Pipette einsetzen.

Achtung!

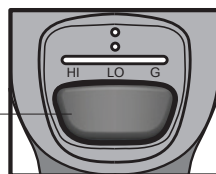
Beim Einsetzen der Pipette niemals Gewalt anwenden. Zu starker Druck kann das Zerbrechen der Pipette zur Folge haben. Gehen Sie beim Einsetzen von dünnen Pipetten besonders vorsichtig vor.

Sobald die Pipette sicher sitzt, den Pipette Controller immer senkrecht mit der Pipettenspitze nach unten halten.

Pipette füllen

Oben am Pipette Controller mit dem Knopf für den Pumpenmodus die Pumpgeschwindigkeit einstellen. Drücken des Knopfes schaltet durch die Einstellungen „High“ (hoch), „Low“ (niedrig) und „G“ (Schwerkraft). Bei Verwendung von großvolumigen Pipetten auf hohe Geschwindigkeit, bei Verwendung von geringvolumigen Pipetten auf niedrige Geschwindigkeit einstellen. Für langsames Ansaugen mit Vollpipetten und Schwerkraft-Entleerung den Schwerkraft-Modus (auf dem Gerät mit „G“ gekennzeichnet) wählen.

Knopf für Pumpenmodus



Pipettenspitze in die Flüssigkeit tauchen. Den Ansaugknopf langsam drücken (oberer Pipettierungsknopf). Die Ansauggeschwindigkeit hängt davon ab, wie stark der Ansaugknopf gedrückt wird. Füllen Sie die Pipette bis sich der Meniskus genau über dem gewünschten Volumen befindet.

Die Pipette außen abwischen um Restflüssigkeit zu entfernen. Mit der Pipettenspitze die Seitenwand des Behälters berühren. Den Entleerungsknopf langsam drücken (unterer Pipettierungsknopf) bis der Meniskus sich genau auf der Höhe des gewünschten Volumens befindet.

Achtung!

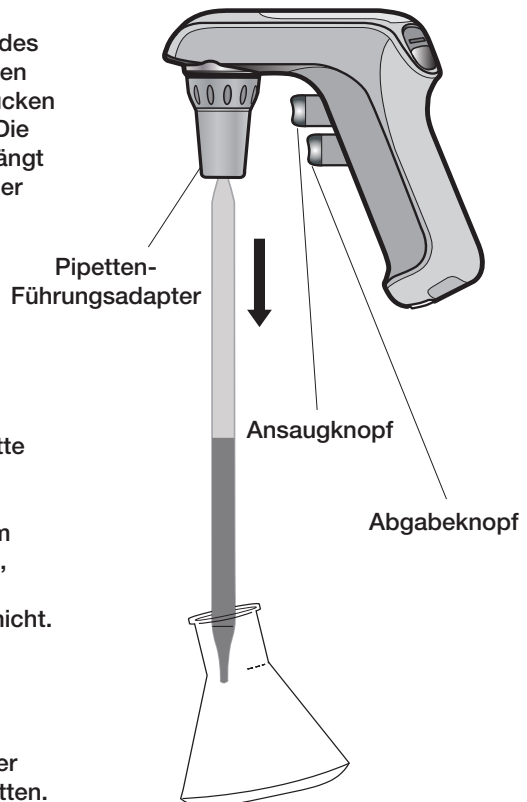
Achten Sie darauf, keine Flüssigkeit in den Pipette Controller einzusaugen, da dies zur Beeinträchtigung der Funktionsfähigkeit führen kann. Falls Flüssigkeit in das Gerät eingesaugt wird, Pipetten- und Führungsadapter wie unter dem Abschnitt „Wartung“ beschrieben reinigen. Falls notwendig, den Filter ersetzen.

Entleeren

Mit der angewinkelten Pipettenspitze die Innenwand des Aufnahmegefäßes berühren. Den Entleerungsknopf langsam drücken (unterer Pipettierungsknopf). Die Entleerungsgeschwindigkeit hängt davon ab, wie stark/wie weit der Knopf gedrückt wird.

Im „Blow-Out“-Modus - der Gleitschalter für die Pumpgeschwindigkeit steht auf „High“ oder „Low“ - aktiviert der Entleerungsknopf die Pumpe so, dass alle Flüssigkeitsreste aus der Pipette ausgeblasen werden.

Im Schwerkraftmodus (auf dem Gerät mit „G“ gekennzeichnet), aktiviert der Entleerungsknopf die Pumpe nicht. Die Flüssigkeit wird durch die Schwerkraft entleert. Das Pipettenvolumen kann durch Variieren des Drucks mit den Fingern reguliert werden. Dieser Modus eignet sich für Vollpipetten.



Wartung

Der Pipette Controller ist normalerweise wartungsfrei. Falls nötig, können das Gehäuse und der Rotor mit einem feuchten Tuch und einem milden, nicht ätzenden Reiniger abgewischt werden.

Pipetten-Adapter reinigen und Filter ersetzen

Achtung!

Beim Reinigen und Ersetzen des Filters Schutzhandschuhe und Schutzbrille tragen, um Spritzer und Verunreinigungen zu vermeiden.

Falls Flüssigkeit in den Führungsadapter geraten ist, oder falls die Ansaugwirkung nachgelassen hat, beachten Sie die folgenden Anweisungen:

1. Pipette über einen Behälter halten und die Pipette entfernen.
2. Den Führungsadapter vorsichtig abschrauben.
3. Den Filter entfernen.
4. Den Pipetten-Adapter vom Führungsadapter entfernen, indem sie ihn nach oben drücken.
5. Den Pipetten-Adapter mit entsalztem Wasser abspülen und bei Zimmertemperatur trocknen lassen.
6. Die weiche Anschluss-Seite des Filters muss zum Pipetten-Adapter zeigen. Das abgestufte Filter-Verbindungsstück sollte mit dem größeren Durchmesser zum Filteradapter zeigen. Den Filteradapter auf den Filter drücken.
7. Den Pipette Controller wieder zusammensetzen, indem die die o.g. Schritte in umgekehrter Reihenfolge durchführen.
8. Den Pipette Controller auf Lecks überprüfen - siehe Abschnitt „Lecks suchen.“

Hinweise

- Nicht alle Membranfilter eignen sich für den Gebrauch mit dem Pipette Controller.
- Für ordnungsgemäße Leistung nur die vom Hersteller empfohlenen Ersatzfilter benutzen.
- Der Pipetten-Adapter, Führungsadapter und der Filteradapter können bei 121°C 20 Minuten lang dampfsterilisiert werden.
- Der Benutzer hat auf sachgemäße Sterilisation zu achten.

Lecks suchen

Nach dem Füllen der Pipette sollte keine Flüssigkeit heruntertropfen. Sollte die Pipette tropfen, den Pipetten-Adapter, Filter und Filteradapter zerlegen. Sorgfältig wieder zusammensetzen. Falls nötig, abgenutzte Teile ersetzen. Siehe Abschnitt „Ersatzteile bestellen.“

Batterie wiederaufladen

Mit vollständig geladenen Batterie kann der Pipette Controller etwa 20 Stunden lang betrieben werden. Abnehmende Motorstärke und/oder eine rote Ladeanzeige signalisieren, dass die Batterie wieder aufgeladen werden müssen.

Zum Umweltschutz wird der Pipette Controller von einer wieder aufladbaren Batterie betrieben, die weder Cadmium noch Quecksilber enthält.

Achtung!

Ausschließlich das Original-Ladegerät benutzen!

Die Verwendung eines anderen Ladegeräts könnte die Batterie oder das Gerät beschädigen und zum Haftungsausschluss führen.

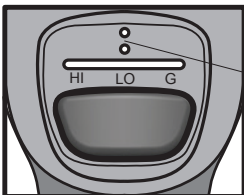
Versichern Sie sich, dass die auf dem Netzteil angegebene Spannung (Volt) der Spannung der Steckdose entspricht.

Bevor Sie mit dem Laden beginnen, vergewissern Sie sich, dass Spannungsstärke und Stecker des Netzteils mit der Stromstärke der Steckdose übereinstimmen.

1. Der Temperaturbereich zum Wiederaufladen liegt zwischen 10 und 35°C.
2. Schließen Sie das Netzteil am Fuß des Pipette Controller an, oder schließen Sie es am Ständer an und setzen Sie den Pipette Controller in den Ständer ein. Hinweis: Mini-USB-Stecker passt nur in Einheit ein Weg.
3. Stecken Sie den Stromstecker des Netzteils in eine geeignete Steckdose.
4. Das vollständige Laden leerer Batterie dauert bis zu 6 Stunden. Während des Ladens blinkt die grüne Ladeanzeige.
5. Der Pipette Controller ist vollständig aufgeladen, wenn die grüne Ladeanzeige dauerhaft leuchtet.

Hinweise

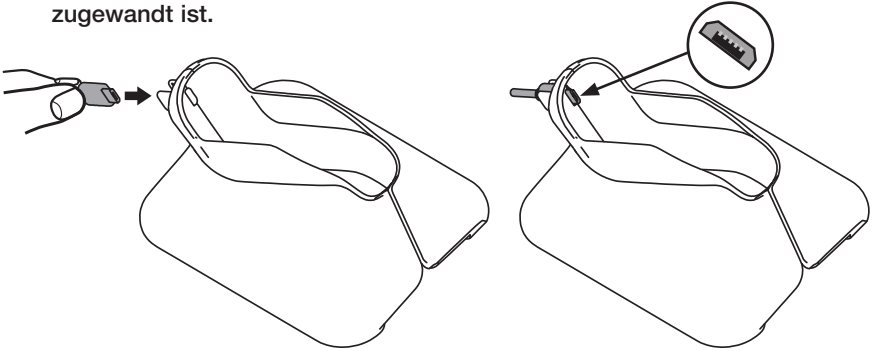
- Mit vollständig geladenen Batterie kann der Pipette Controller etwa 20 Stunden lang betrieben werden.
- Bei täglichem Gebrauch kann der Pipette Controller über Nacht oder zu jeder anderen Zeit aufgeladen werden. Bei Aufleuchten der roten Ladeanzeige ist eine Restladung von etwa 10 % vorhanden. Wenn beim Drücken eines Knopfes die rote Ladeanzeige blinkt, bedeutet dies, dass die Batterieladung zur Verwendung des Geräts zu gering ist und es aufgeladen werden muss.



Anzeige für geringe Batterieladung (rot - oben)
Anzeige für ausreichende Batterieladung (grün - unten)

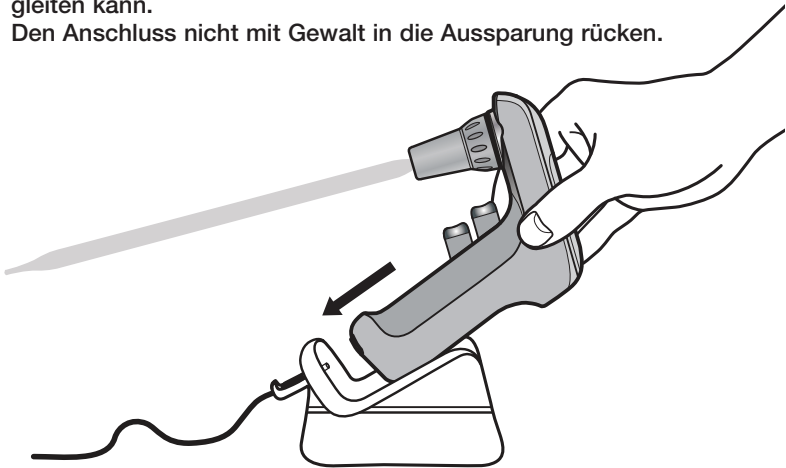
Zum Anschließen des Stromkabel in den Tischständer:

1. Den Mikro USB-Stecker wie dargestellt in den Ständer anstecken. Vergewissern Sie sich, dass das USB-Symbol am Stecker und am Stand anliegt, wenn der Mikro USB-Steckplatz am Gerät dem Benutzer zugewandt ist.



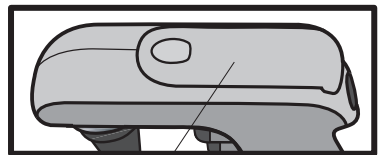
Den Pipette Controller in den Ständer einsetzen

1. Das Stromkabel wie dargestellt an den Ständer anstecken.
2. Den Ständer mit der anderen Hand festhalten und den Pipette Controller nach unten in den Ständer gleiten lassen.
3. Sicherstellen, dass der Anschluss mit der Aussparung am Boden des Pipette Controller abschließt. Die Position des Pipette Controller muss evtl. korrigiert werden, so dass der Anschluss leicht in die Aussparung gleiten kann.
4. Den Anschluss nicht mit Gewalt in die Aussparung rücken.



Batterie ersetzen

Das Gerät darf nur mit Originalbatterie verwendet werden. Vor der Entsorgung müssen die Batterie vollständig entladen sein. Die Entsorgung hat in Übereinstimmung mit allen Regierungsvorschriften zu erfolgen.



Batteriefach-Abdeckung aufschieben

Achtung!

Unsachgemäße Verwendung des Geräts oder der Batterie wie z. B. Kurzschluss, mechanische Beschädigungen oder Überhitzung können zu Explosionen oder anderen Ereignissen führen, die den Benutzer gefährden.

Nur vom Hersteller empfohlene Batterie benutzen. Die Anweisungen zum Ersetzen der Batterie genau befolgen.

1. Abdeckung des Batteriefachs entfernen.
2. Batterie vorsichtig entnehmen. Den Stecker vorsichtig aus dem Anschluss im Gerät entfernen.
3. Den Stecker in den Anschluss des neuen Batterieblocks stecken und die Batterie ins Batteriefach einsetzen.
4. Abdeckung des Batteriefachs wieder anbringen.

Achtung!

Versichern Sie sich, dass die auf dem Netzteil angegebene Spannung (Volt) der Spannung der Steckdose entspricht.

Fehlerbehebung

Fehler	Mögliche Ursache	Lösung
Verringerte Ansaugwirkung	<ul style="list-style-type: none">– Filter ist nass– Batterie sind entladen	<ul style="list-style-type: none">– Filter ersetzen– Batterie wiederaufladen
Pipette tropft	<ul style="list-style-type: none">– Filter wurde falsch installiert– Pipette oder Pipetten-Adapter sind beschädigt	<ul style="list-style-type: none">– Filter neu installieren– Pipette und Pipetten-Adapter überprüfen; falls beschädigt, ersetzen
Pipette ist locker	<ul style="list-style-type: none">– Pipetten-Adapter ist verschmutzt oder beschädigt	<ul style="list-style-type: none">– Pipetten-Adapter reinigen; falls beschädigt, ersetzen
Verringerte Betriebszeit trotz voll aufgeladener Batterie	<ul style="list-style-type: none">– Batterie sind zu alt– Geräte- oder Netzteilversagen	<ul style="list-style-type: none">– Wenden Sie sich innerhalb der Gewährleistungszeit an Heathrow Scientific®– Wenden Sie sich innerhalb der Gewährleistungszeit an Heathrow Scientific®

Falls die o.g. Empfehlungen die aktuellen Probleme nicht lösen, wenden Sie sich bitte direkt an Heathrow Scientific®.

Bestellinformation

Pipette Controller mit Netzteil, 5 Führungsadaptern, Halterung, Ständer und eines	HS3000
Pipettenhalter, Silikon	HS5000RFP
Führungsadapter, Polypropylen, Satz mit 5 Farben	120487
Ersatzfilter 0,45µm, 5 er-Pack	HS5000RFFIL
Batterie	HS300502

Zur Reparatur einschicken

Wichtig:

Der Transport von Gefahrgut ohne Zulassung ist ungesetzlich.

Heathrow Scientific® nimmt keinen Pipette Controller an, der nicht ordnungsgemäß gereinigt und desinfiziert wurde.

In dem unwahrscheinlichen Fall, dass dieses Gerät repariert oder wegen einer Beschädigung zurückgeschickt werden muss, wenden Sie sich an Heathrow Scientific® LLC und beantragen Sie eine Rücksendegenehmigung, bevor Sie Ihren Pipette Controller zum Kundendienst schicken.

Garantie

Beschränkte Garantie

Heathrow Scientific® LLC garantiert, dass der Pipette Controller bis zu 5 Jahre nach dem Kaufdatum keine Verarbeitungs- und Materialschäden aufweist.

Falls Sie annehmen, dass das Produkt fehlerhaft ist, müssen Sie Heathrow Scientific® LLC während der Garantiezeit hiervon benachrichtigen, einen Kaufbeleg vorweisen und das Produkt mit einem Rücksendeformular an Heathrow Scientific® LLC zurückschicken. Ein Rücksendeformular erhalten Sie unter der Telefonnummer 1-847-816-5070.

Wenn Heathrow Scientific® LLC ordnungsgemäß informiert wurde und nach Inspektion bestätigt, dass ein Schaden vorliegt und die Garantiezeit nicht abgelaufen ist, wird Heathrow Scientific® LLC das Produkt nach eigenem Ermessen kostenlos reparieren, ändern oder ersetzen.

ÜBER DIESE BESCHRÄNKTE GARANTIE HINAUS GIBT HEATHROW SCIENTIFIC® LLC KEINERLEI MÜNDLICHE ODER SCHRIFTLICHE GARANTIE IN BEZUG AUF DIE QUALITÄT ODER LEISTUNG DES PRODUKTS, EINSCHLIESSLICH, JEDOCH NICHT BESCHRÄNKT AUF DIE GESETZLICHE GEWÄHRLEISTUNG FÜR DIE ALLGEMEINE GEBRAUCHSFÄHIGKEIT UND ZWECKDIENLICHKEIT, DIE HIERMIT AUSGESCHLOSSEN WERDEN UND FÜR DIE KEINE HAFTUNG ÜBERNOMMEN WIRD. HEATHROW SCIENTIFIC® LLC IST IN KEINER WEISE HAFTBAR FÜR JEGLICHE VERLUSTE, SEI ES IN NUTZUNG, PROFITEN, FOLGESCHÄDEN, ODER ENTSCHÄDIGUNGEN MIT STRAFZWECK. FOLGENDES IST UNTER DIESER GARANTIE NICHT ABGEDECKT:

- **DEFEKTE ODER SCHÄDEN, DIE DURCH UNSACHGEMÄSSEN ODER UNVERNÜNFTIGEN GEBRAUCH DES PRODUKTS ENTSTEHEN (DER PIPETTE CONTROLLER WURDE AUSSCHLIESSLICH FÜR DEN GEBRAUCH DURCH GESCHULTE LABORTECHNIKER ENTWICKELT. VERWENDUNG DURCH ANDERE PERSONEN MACHT DIESE GARANTIE UNGÜLTIG).**
- **JEDES PRODUKT, DAS NACH DEM ERMESSEN VON HEATHROW SCIENTIFIC® LLC VON EINER PERSON ODER PERSONEN MANIPULIERT, VERÄNDERT ODER REPARIERT WURDE, DIE NICHT ZUM PERSONAL VON HEATHROW SCIENTIFIC® LLC GEHÖRT.**
- **JEDES PRODUKT, DAS AUS EINEM DER FOLGENDEN GRÜNDE UNBRAUCHBAR IST: (a) ABNUTZUNG, (b) NACHLÄSSIGKEIT, (c) UNFALL, (d) UNSACHGEMÄSSE WARTUNG ODER (e) VERWENDUNG UNTER UNÜBLICHEN TEMPERATUREN, VERSCHMUTZUNGEN ODER KORROSION, ODER VERWENDUNG VON ÄTZENDEN REINIGERN ODER SCHEUERMITTELN.**
- **ZUBEHÖRTEILE, WIE ZUM BEISPIEL TEILE AUS GUMMI, DIE DURCH FLÜSSIGKEITEN ODER UNSACHGEMÄSSEN GEBRAUCH BESCHÄDIGT WURDEN.**

EN NINGÚN CASO LA OLIGACIÓN DE HEATHROW SCIENTIFIC®, EXCEDERÁ EL PRECIO DEL PRODUCTO.

RF3000 2022

All rights reserved. Printed in China.
Tous droits réservés. Imprimé en China.
Todos los derechos reservados. Impreso en China.
Alle Rechte vorbehalten. Gedruckt in China.