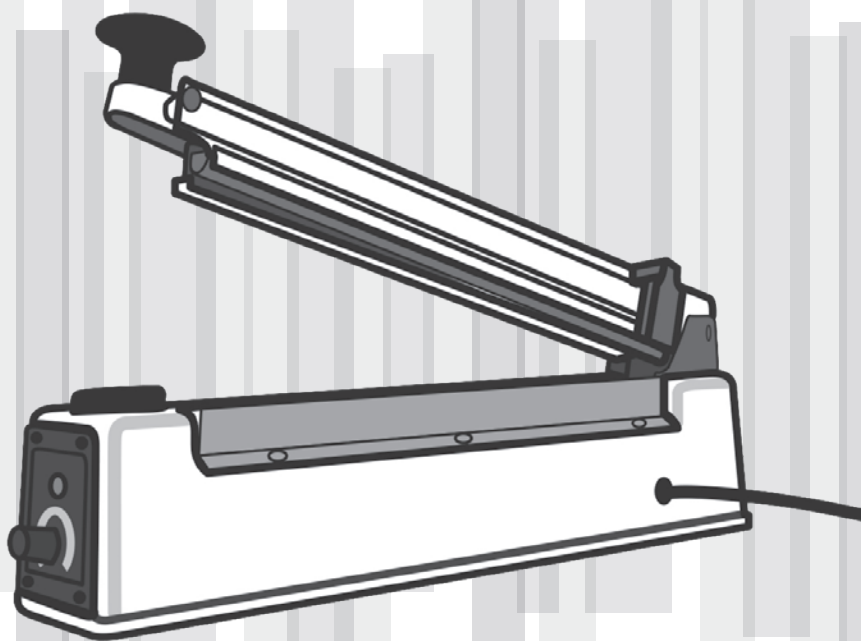




Electric Bag Sealer with Cutter

Instruction Manual

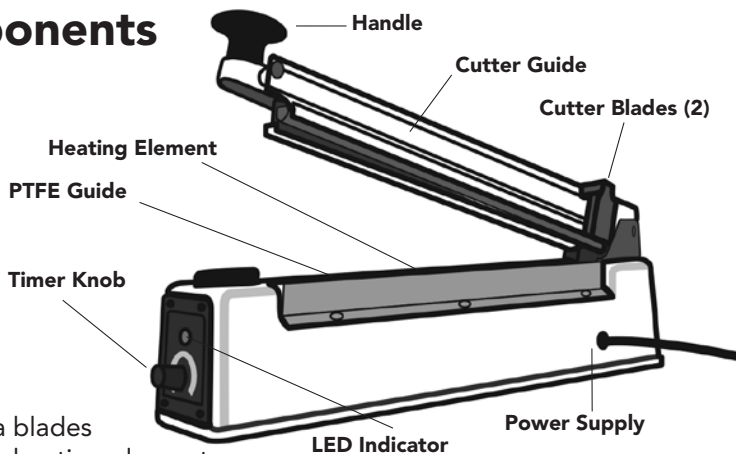


Components	2
Safety Precautions	2
Operating Instructions	3
Heating Adjustment Guide	3
Maintenance	4
Parts Guide	4



Thank you for purchasing our 305mm (12") Electric Bag Sealer with Cutter. You will be able to quickly and efficiently seal polyethylene or polypropylene bags, sheets or flat tubing. A unique sliding blade removes excess material 19 mm from the seal.

Components



Includes:

- Two extra blades
- Two extra heating elements
- Two extra PTFE cloths

Safety Precautions

This manual cannot address all safety hazards. It is the responsibility of the user to consult and observe all health and safety precautions and to assess the sealer's suitability to the task.

1. Read this instruction manual before operating the sealer and cutter.
2. Observe general laboratory safety precautions and regulations.
3. Follow all precautions from the Material Safety Data Sheet (MSDS) for any reagent you use with this sealer.
4. Never operate the sealer in a hazardous or flammable environment.
5. To protect against risk of electrical shock, do not put sealer in water or other liquid.
6. Blade is extremely sharp. Keep hands, hair, clothing and other utensils away from blade during operation to reduce risk of injury to persons and/or sealer.
7. Always work in a manner which neither endangers the user, nor any other person.
8. Never use force when using.
9. Unplug from outlet before changing parts or cleaning.
10. Only use original manufacturer's accessories and spare parts.
11. Repairs are to be performed by trained and authorized service personnel only.
12. Do not pull, twist or otherwise abuse the power cord. Never carry the sealer by the cord or pull from the cord to remove from an outlet. Always grasp the plug and pull to disconnect.

Operating Instructions

1. Set the timer based on the thickness of the material to be sealed.
2. Sealing time is between 1 and 8 seconds. Use a higher number for thicker materials.
3. Place the area to be sealed across the bar. Press the handle down evenly.
4. Heating is only applied while the light is on.
5. When the light turns off either slide blade across to cut away excess material or lift handle to remove.
6. Adjust the timer if needed.

Heating Adjustment Guide

INDICATOR	POLYETHYLENE	POLYPROPYLENE OR HIGH-HEAT FILM
1	UNDER 0.06 mm	—
2	UNDER 0.1 mm	—
3	UNDER 0.14 mm	—
4	UNDER 0.2 mm	UNDER 0.03 mm
5	—	UNDER 0.04 mm
6	—	UNDER 0.06 mm
7	—	UNDER 0.08 mm

Maintenance

1. Unplug the unit.
2. On the base, loosen the 6 side screws that hold the Teflon cloth over the heating wire.
3. Remove the Teflon cloth; may need to replace.
4. The heating wire is held in place by two black plastic holders. Remove the screw on end with the timer knob.
5. Remove the wire on that end.
6. Pull the wire toward the timer knob end of the unit.
7. Place an extra screwdriver or pen in the opening behind the other back holder; on the end with hinge. This will keep that piece in place.
8. Remove the screw and the rest of the wire.
9. Replace the wire.
10. Screw the wire in place.
11. Remove the extra screwdriver or pen.
12. Replace or put on a new Teflon tape.
13. Tighten the 6 side screws.
14. Plug in the unit.
15. Check unit operation.

Parts Guide

PART NUMBER	DESCRIPTION	PLUG TYPE
HS28270	220/230 VAC	U.K.
HS28271	220/230 VAC	Cont. Europe/Israel
HS28272	110/120 VAC	U.S./Taiwan/Japan
HS28280	Replacement Part Kit	—

2 extra blades, 2 extra heating elements and 2 extra PTFE cloths
